


Instructions for Installing a Filter Drawer onto a Conair DuraLoad Receiver.

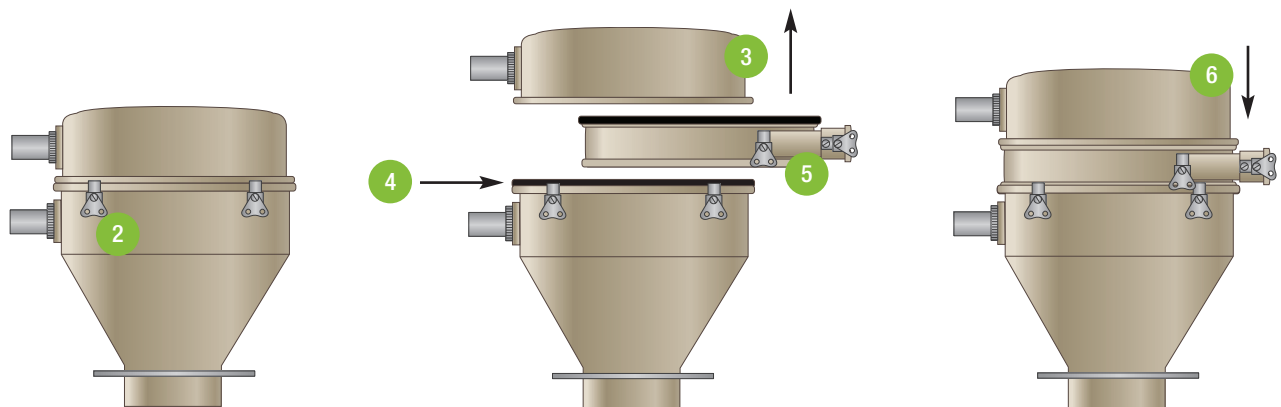
The Filter Drawer can only be fitted to Conair DuraLoad receivers. These receivers typically include a DL prefix in the model listed on their serial tags.

- 1 The nominal diameter of the filter drawer must match the nominal diameter of the DuraLoad Receiver it will be fitted to.**

Filter drawer model	DuraLoad model
FD-12	DL-12
FD-15	DL-15
FD-20	DL-20
FD-25	DL-25

- 2 No tools are required for standard installation.** Use twist clamps to remove lid and install the Filter Drawer.
- 3 Remove the receiver lid.** Support for the lid of the receiver is recommended, especially in elevated locations, while the Filter Drawer is installed to the receiver body. Be sure to remove the old filter that is being replaced.
- 4 The Filter Drawer is supplied with a flexible gasket to be installed on the flange of the receiver body.** Clean dust and accumulated material from the flange and then stretch the gasket over the flange, inserting the flange's exposed edge into the 'U' shaped gasket. Do not overstretch or cut the gasket to fit.
- 5 Orient the Filter Drawer handle in the direction of service access and place the Filter Drawer onto the receiver body.**
- 6 Replace the lid and clamp in place.** Twist clamps may need to be adjusted up or down to properly hold the lid and / or filter drawer in place.

 **Note:** In some cases, vacuum and compressed air connections to the lid may have to be extended to the new position above the Filter Drawer.




We're Here to Help

Conair has made the largest investment in customer support in the plastics industry. Our service experts are available to help with any problem you might have installing and operating your equipment. Your Conair sales representative also can help analyze the nature of your problem, assuring that it did not result from misapplication or improper use.

How to Contact Customer Service

To contact Customer Service personnel, call:



 **NOTE:** Normal operating hours are 8:00 am - 5:00 pm (EST). After hours emergency service is available at the same phone number.

From outside the United States, call: 814-437-6861

You can commission Conair service personnel to provide on-site service by contacting the Customer Service Department. Standard rates include an on-site hourly rate, with a one-day minimum plus expenses.

Before You Call...

If you do have a problem, please complete the following checklist before calling Conair:

- Make sure you have all model, control type from the serial tag, and parts list numbers for your particular equipment. Service personnel will need this information to assist you.
- Make sure power is supplied to the equipment.
- Make sure that all connectors and wires within and between control systems and related components have been installed correctly.
- Thoroughly examine the instruction manual(s) for associated equipment, especially controls. Each manual may have its own troubleshooting guide to help you.
- Check that the equipment has been operated as described.
- Check accompanying schematic drawings for information on special considerations.

Additional manuals and prints for your Conair equipment may be ordered through the Customer Service or Parts Department for a nominal fee. Most manuals can be downloaded free of charge from the product section of the Conair website.
www.conairgroup.com

Replacement parts are available from Conair.

Contact Conair Parts
1-800-458-1960

From outside of United States, call:
814-437-6861