

One Cutter for Many Applications

Conair Sure Cut Series rotary knife cutters offer excellent versatility for processors who need one cutting system for a variety of applications. Essential for processors with one or more product changes a day, the Sure Cut can go from cutting small parts at high line speeds to cutting large tubes and profiles. In fact, a Sure Cut can handle parts so large, that a saw would typically be used.

With its oversized flywheel and easy access side and top covers, the Sure Cut Series opens wide for changes, but clamps closed and interlocks for safety.



Model SC-5

Cutting Torque to spare for Large Profiles / Tubes

The Sure Cut series employs a 24-inch {610 mm} diameter flywheel, mounted below the cutter bushings.

The large fly wheel offers unmatched blade surface speed and cutting torque. Blade speeds are adjustable up to 300 RPM and can be modified easily to obtain clean, square cuts. Multiple-blade mounting positions on the flywheel allow you to add blades for even achieve higher cutting rates.

An optional blade lubrication system, assures clean, accurate, quality cuts with any material and extrusion geometry.

A safety interlocked sliding observation window provides easy cut monitoring.

A discharge chute efficiently directs product away from the cutter. A discharge conveyor and automatic parts ejection systems are available as options.

▶ **Cut capacity up to 6.25 x 12.25 inches**

The SC-5 has the capability to cut tube/pipe up to 5.25 inches {133 mm} in diameter or profiles as large as 4 x 10 inches {102 x 254 mm}. The SC-8 can cut tube/pipe up to 7.25 inches {184 mm} or profiles as large as 6.25 x 12.25 inches {159 x 311 mm}. The position-controlled servo drive provides variable speed and repeatable cut accuracy.

▶ **Up to 600 cuts per minute**

The SC-5 can achieve up to 150 cuts/minute and the SC-8 can achieve up to 100 cuts/minute on demand with one blade. Blade speeds are adjustable up to 300 RPM, and multiple-blade mounting system lets you add blades to increase cutting rates.

▶ **Touchscreen operator control**

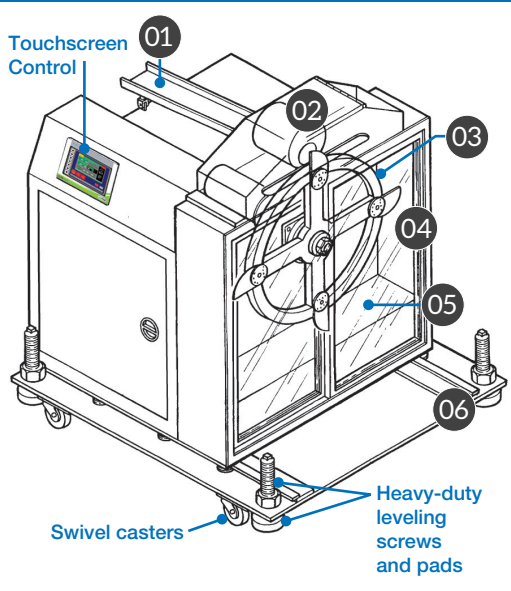
Sure Cut Series cutters feature a user-friendly 7-inch {178 mm} touchscreen with high visibility graphics and common sense commands for controlling the cutter. A large pop-up "soft" keypad makes recipe entry fast and easy.

▶ **Reduced maintenance costs**

The heavy-duty yet exacting positional servo drive system, with planetary gear reduction, minimizes the maintenance and downtime associated with traditional clutch/brake cutters.



Overview



01 Touchscreen Control

02 Parts discharge chute or optional discharge conveyor

03 Wide range of cutter bushing capacities

04 24-inch {610 mm} diameter flywheel with multiple blade mounting system

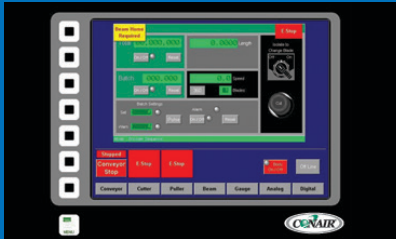
05 Polycarbonate blade observation window

06 Optional blade lubrication system

Swivel casters

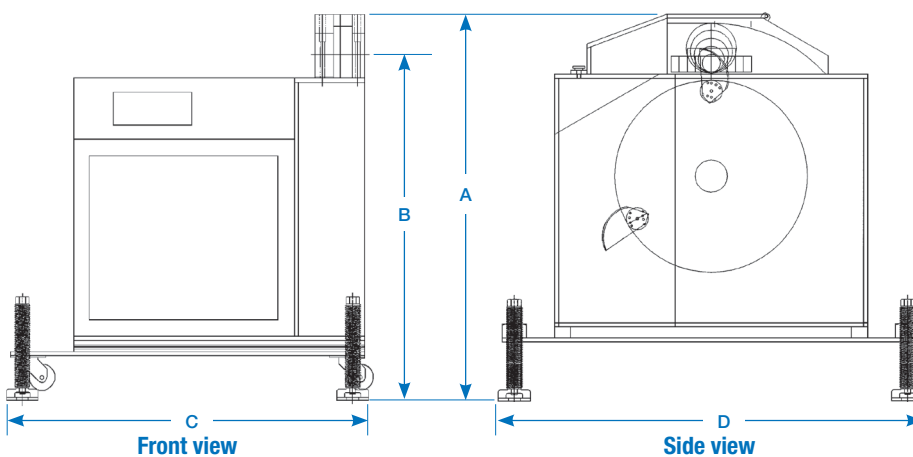
Heavy-duty leveling screws and pads

Controls



The Sure Cut features a full-color touchscreen control. Switch cutting modes, adjust blade speed, customize operation, save recipes, and create unique user privileges all from a touchscreen control that allows for easy communication to other devices. All Conair controls are designed with the same style icon/button operation, making learning a new piece of equipment easy and comfortable.

Specifications



Models	SC-5	SC-8
Performance characteristics		
Extrusion capacity inches {mm}		
Tube diameters	2.25 - 4.75 {57 - 121}	2.25 - 7.25 {57 - 184}
Profile dimensions	2 x 4 - 2 x 10, 4 x 7 {51 x 102 - 51 x 254, 102 x 178}	2.25 x 26.6 - 6.25 x 12.25 {57 x 676 - 159 x 311}
Blade drive motor	4.6 Hp {3.4 kW}	10.0 Hp {7.5 kW}
Feed direction	right to left	
Dimensions inches {mm}		
A - Overall height	47 {1193.8}	70 {1778}
B - Height to centerline (± 2)	42 {50.8}	43 ±3 {1092 ±76.2}
C - Length	37 {939.8}	43 {1092}
D - Width	52.0 {1321}	61 {1549}
Voltage Full load amps *		
460 V/3/60 Hz	Consult Conair	
Specification Notes		
* FLA data for reference purposes only. Does not include any options or accessories on equipment. For full FLA detail for power circuit design of specific machines and systems, refer to the electrical diagrams of the equipment order and the nameplate applied to the machine. Specifications may change without notice. Consult with a Conair representative for the most current information.		

Features

- Surface speeds to 0.438 inches {11.1 mm} per millisecond
- Heavy-duty positional AC brushless servo drive
- 10:1 planetary gear head reducer as standard
- 3,000 pulse bi-directional encoder

Options

- Custom paint
- Left-to-right operation
- Custom round bushing holder sizes available: 3.25, 4.25, 5.25 inch
- Blade lubrication system including large capacity stainless steel blade lubrication tray and blade wipe with replaceable felt pads
- Slide base assembly with position locking mechanism for 12 inches of movement
- Timer mode
- CE certification
- UL certification

