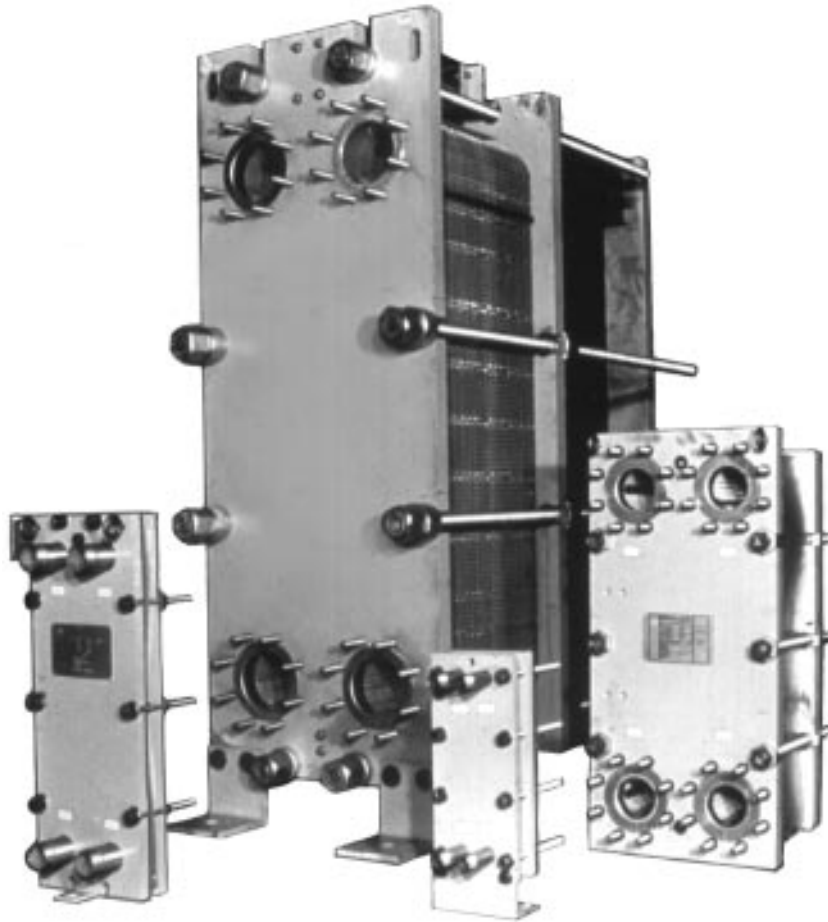


BELL & GOSSETT

SERVICE MANUAL

HF0358
REVISION B



Installation, Operation and Maintenance Manual for B&G Type GPX Plate Heat Exchangers

INSTALLER: PLEASE LEAVE THIS MANUAL FOR THE OWNER'S USE.



**SAFETY
INSTRUCTION**

This safety alert symbol will be used in this manual to draw attention to safety related instructions. When used the safety alert symbol means ATTENTION! BECOME ALERT! YOUR SAFETY IS INVOLVED! FAILURE TO FOLLOW THE INSTRUCTIONS MAY RESULT IN A SAFETY HAZARD.

ITT Bell & Gossett

GPX Plate

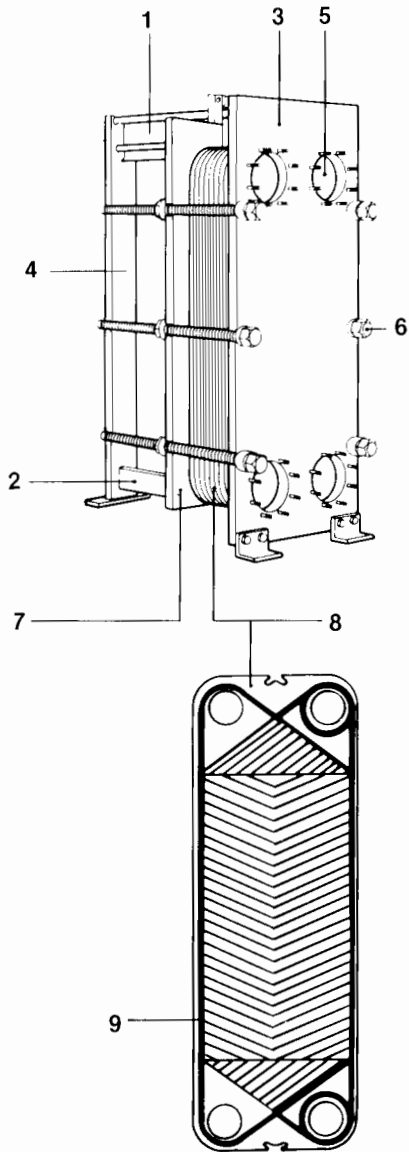
Heat Exchangers

CONTENTS:

- A) BASIC CONSTRUCTION & FUNCTION
- B) INSTALLATION
- C) OPERATION
- D) OPENING & CLOSING OF THE PLATE EXCHANGER
- E) MAINTENANCE & CLEANING
- F) FAULT DETECTION

A. BASIC CONSTRUCTION & FUNCTION

In GPX Plate Heat Exchangers, heat is transferred from one medium to another through thin metal plates which have been pressed into a very special pattern.



1. CARRYING BAR

2. GUIDING BAR

The plates hang from a CARRYING BAR and are kept in line by a GUIDE BAR at the lower end.

3. FRAME PLATE

A steel plate called the frame plate supports the two bars and typically contains the connections.

4. SUPPORT COLUMN

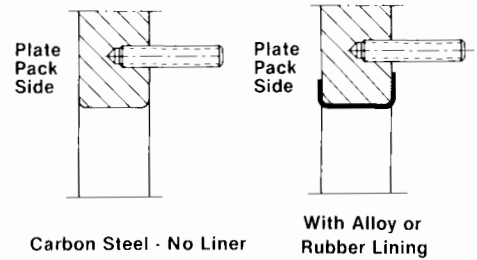
The two bars are suspended between the FRAME PLATE - to which in most cases the piping is connected, and a SUPPORT COLUMN.

5. CONNECTIONS

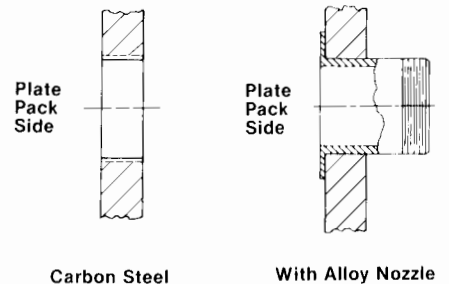
Holes matching the piping lead through the frame plate, permitting the media to enter into the heat exchanger.

Threaded studs around the holes

secure the pipes to the frame plate. Depending on the application, metallic or rubber-type linings may protect the edges of the holes against corrosion.



For smaller connection sizes NPT type connections may be used.



6. TIGHTENING BOLTS

The "Plate Pack," consisting of channel plates & gaskets assembled in the proper order, hangs between the frame plate and the pressure plate. A number of TIGHTENING BOLTS are used to press the channel plates together, bringing them into metallic contact and to compress the gaskets enough to seal the narrow passages which have now been formed between the plates.

7. PRESSURE PLATE

A steel plate called the pressure plate is also hung on the carrying bar and is movable as are the channel plates. In some cases, the piping connections may be located on the pressure plate.

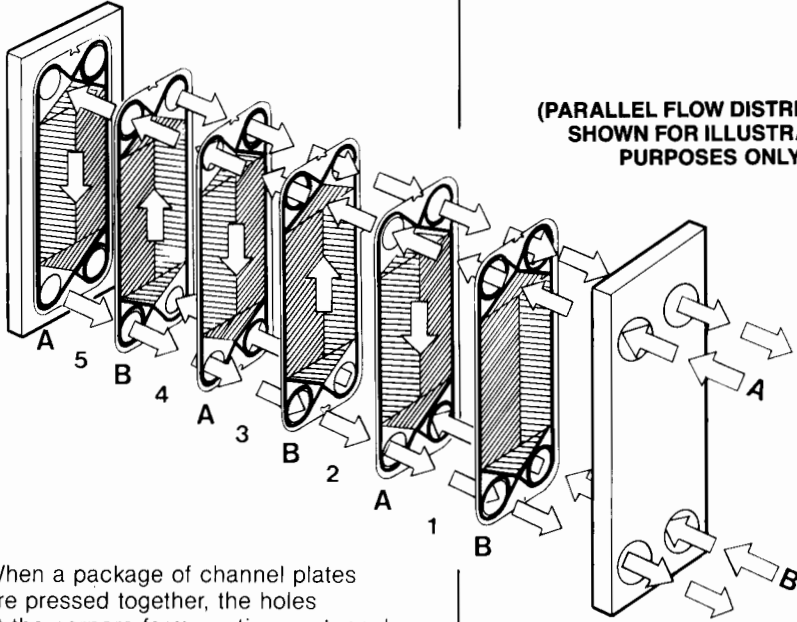
8. CHANNEL PLATES

Also called heat transfer plates, are thin metal plates through which heat is transferred. The number of channel plates in a given exchanger is determined by the amount of heat transfer surface required to perform the given service.

9. GASKETS

A groove along the rim of the plate and around the ports hold a GASKET, usually made of a rubber-type material.

HOW IT WORKS



When a package of channel plates are pressed together, the holes at the corners form continuous tunnels or manifolds, leading the media (which perform the heat transfer process) from the inlets into the plate pack, where they are distributed into the narrow passages between the plates.

Because of the gasket arrangement on the plates, and the placing of "A" and "B" plates alternately, the two liquids enter alternate passages, e.g. the warm liquid between odd number passages, and cold liquid between even number passages.

Thus the media are separated by a thin metal wall. In all cases the liquids flow in opposite directions called counterflow.

During the passage through the plate pack, the warmer medium will give some of its heat energy to the thin wall, which instantly loses it again to the colder medium on the other side.

The warmer medium drops in temperature, while the colder one is heated up.

Finally, the media are led into similar manifolds at the other end of the plates and discharged from the heat exchanger.

The purpose of the equipment is to transfer heat from one medium to another, and heat passes very easily through the thin wall separating the two media from each other.

The novel pattern into which the plate material has been formed not only gives strength and rigidity, but greatly increases the rate of the heat transfer from the warmer medium to the metal

wall and from the wall to the other medium.

This high heat flow through the walls can be seriously reduced by the formation of deposits of various kinds on the wall surfaces.

The pattern of corrugation on the thermal plates mentioned above induces highly turbulent flow. The turbulence gives strong resistance to the formation of deposits on the plate surface; it cannot always eliminate fouling.

The deposits may increase the total "wall thickness" substantially, and they consist of materials that have a much lower thermal conductivity than the metal plate. Consequently a layer of deposits can severely reduce the overall heat transfer rate and increase fluid pressure drop.

The deposits will be considered under the chapter of MAINTENANCE and CLEANING. At this point we will only establish that this fouling is unwanted and can under certain circumstances, be harmful to the heat exchanger, because corrosion may occur under the deposits.

ITT Bell & Gossett

GPX Plate

Heat Exchangers

PRESSURE DROP

Pressure drop is wasted energy.

All pipe-systems - and equipment included in them - offer resistance to media flowing through them.

Some pressure drop is unavoidable, but for given equipment it should be kept as close as possible to the designed value.

The formation of deposits on the heat transfer surfaces instantly leads to a reduction of the free space between the plates. This means that more energy is required to get the desired flow through the heat exchanger.

It is clear that the fouling of the surfaces is undesirable. Larger particles and fibres may also be drawn into the heat exchanger and clog it, if strainers or other means of protection have not been used.

A reduced ability by the heat exchanger to hold the desired temperatures, in combination with an increased pressure drop on any of the media, indicates that fouling or clogging is taking place.

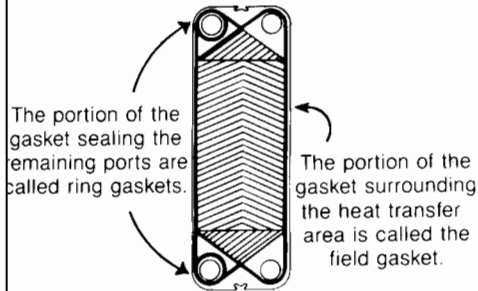
For corrective action, study MAINTENANCE and CLEANING.

GPX Plate

Heat Exchangers

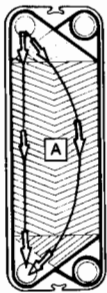
PLATES

Studying the pictures you will observe that on a plate hanging vertically, the gasket rests in a groove which includes the heat transfer area and smaller rings surround the remaining corners.

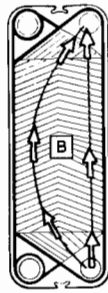


Depending on which two corners are included with the heat transfer area, the plate is called an A- or a B-plate.

PARALLEL FLOW

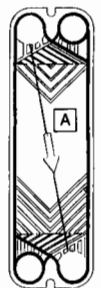


An A-plate is a plate hanging with the chevron pointing downwards.

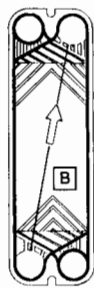


A B-plate is a plate hanging with the chevron pointing upwards.

DIAGONAL FLOW



An A-plate is a plate hanging with the chevron pointing downwards. In addition, upper right and lower left ports have ring gaskets.



A B-plate is a plate hanging with the chevron pointing upwards. In addition, upper left and lower right ports have ring gaskets.

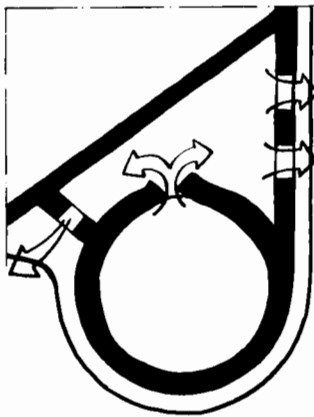
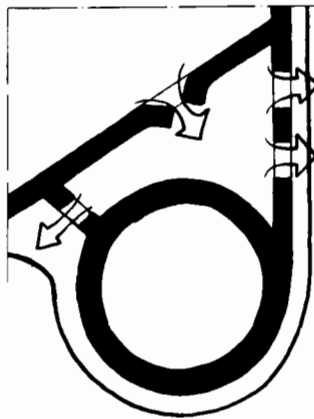
NOTE:

Flow directional arrows are for illustration purposes only and may not be typical for every installation.

GASKETS

As already demonstrated, the two media are effectively kept apart by the ring and field gaskets. To prevent intermixing of the media in the corner areas where field and ring gaskets are very close to each other, the link pieces have a number of slots opening the area between the field and ring gaskets to atmosphere. Any leakage of fluid across either gasket therefore escapes from the heat exchanger through the slots.

WARNING: In the event of gasket failure, the protective splash guard supplied by the manufacturer should be in place as received from the manufacturer. Failure to do so could result in scalding or other injuries due to escaping fluids.



It is important that these openings are not permitted to plug. If that should happen, there is a risk that in case of a leakage in that region of the plate, there might be a local pressure build-up, which could let one medium leak over and mix with the other.

Care should be taken not to cut or scratch the gaskets while handling plates.

B. INSTALLATION

1. Lift the plate heat exchanger by the tightening bolts. (See Fig. 1) or, when supplied, the lifting lugs.

CAUTION: The Heat Exchanger must not be lifted by the nozzle connections.

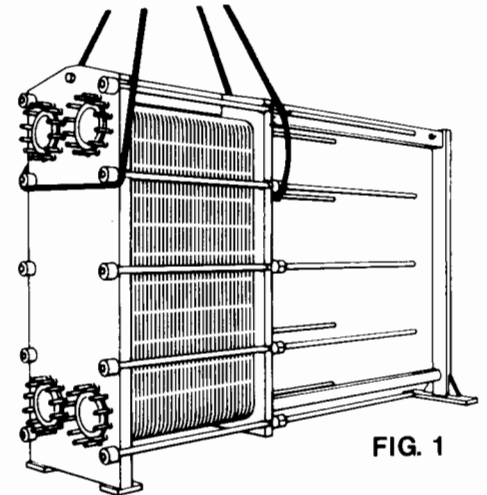
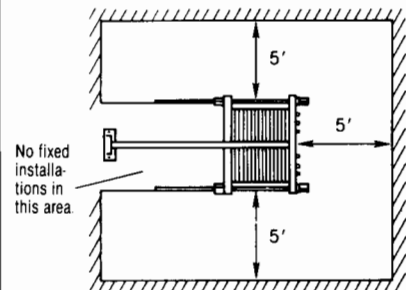


FIG. 1

2. Provide sufficient clearance so that the unit can be serviced.

TOP VIEW



The clearances given above are suggested practice to provide reasonably good working conditions during installation of complete unit as well as for future servicing.

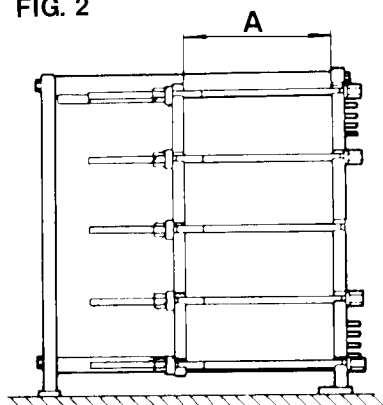
If floor space is at a premium, the user at his own discretion may reduce these dimensions.

3. For installations when processing corrosive liquids, shipboard installations, etc., it may be practical to place the heat exchanger over a drip pan. The drip pan should have capacity for the total volume of the heat exchanger.

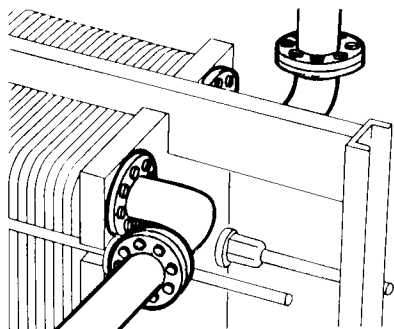
ITT Bell & Gossett GPX Plate Heat Exchangers

4. The foundation must be adequate so that the heat exchanger will not settle and cause piping strain.
5. Set heat exchanger level and square so that pipe connections may be made without creating a piping strain.
6. When delivered, the plate pack has been properly assembled and tightened for immediate installation.
7. All pipe connections to the heat exchanger should be fitted with shut-off valves. The piping should be installed so that thermal expansion does not affect the heat exchanger. Two pipe wrenches should be used when mounting piping to nozzles to prevent nozzles from rotating. Pages 12 and 13 show typical connection locations for field piping.

FIG. 2



8. When connecting piping to parts of the heat exchanger other than the fixed frame plate, such as the pressure plate, the piping must be connected so the weight of piping or other external loads are not transferred to pressure plate.
9. The nozzle connections in the pressure plate must allow dimensions A in Fig. 2 to vary $\pm 1\%$ of the value shown on standard submittals.
10. The pressure plate must be loosened for service work. When connecting piping to pressure plate, provisions must be made for convenient disconnecting.



11. Provide thermometer wells and pressure gauge connections in all piping to and from the unit, and locate them as near to the heat exchanger as possible.
12. Provide air vents near top of piping so unit can be purged of air.
13. Inspect all openings in exchanger for foreign material. Do not store units outdoors with nozzle or flange protectors removed from unit, since water may enter and cause severe damage due to freezing.
14. To prevent plugging of plate channels with sand or refuse, be sure entire system is clean before starting operation.

*If suspended solids are potentially present in the fluids, a filter or strainer system should be installed at the inlets of the plate heat exchanger.

CAUTION: During times of shutdown, volumetric expansion can occur. We recommend the installation of a properly sized relief valve on both sides of the heat exchanger.

C. OPERATION

1. When placing a unit in operation, open the vent connections and start to circulate the cold fluid by slowly opening the valves. Be sure that the passages in the exchanger are filled with the cold fluid before closing the air vents. The hot fluid should then be introduced in the same manner until all passages are filled with fluid.

CAUTION: Fluids must be gradually introduced to the unit. Failure to do so can cause damage to plate pack.

2. When empty or cold, do not admit hot fluid to the unit suddenly. Do not shock unit with cold fluid when unit is hot.

3. During start-up there may be some leakage until the plates and gaskets reach their working temperature. Should leakage continue, check that dimension "A" in Fig. 3 is correct within $\pm 1\%$ of the value shown on the channel plate assembly instructions.
4. Do not operate equipment exceeding design conditions as specified on nameplate.
5. The GPX plate heat exchanger must never be subjected to pressure greater than the maximum differential pressure given on the nameplate.

WARNING: Failure to operate the heat exchanger within the design pressure and temperature on the nameplate may result in damage to plate and/or gasket causing leakage and potential injury to adjacent personnel.

6. Sudden rises in pressure may cause leakage or damage plates and gaskets.

D. STORAGE

1. If the GPX is going to be out of operation for over six months time; it is advisable to empty, separate, and clean the plates. Leave the heat exchanger in untightened or slightly tightened condition.

CAUTION: Cover the heat exchanger with dark plastic to protect it from welding light and dirt (rubber gaskets are sensitive to welding light).

Do not store organic solvents or acids in the room. Avoid heat or ultraviolet radiation.

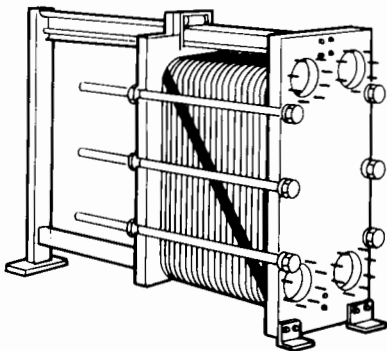
GPX Plate

Heat Exchangers

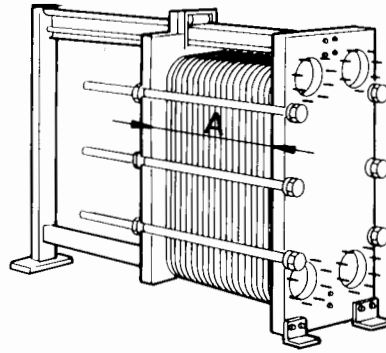
E. OPENING AND CLOSING

OPENING

1. Slowly close the valves on the inlets. Shut off the inlet side, closing the highest pressure first.
2. Switch off pumps.
3. Close the valves on both outlets.
4. If the heat exchanger is hot, wait until it has cooled down to about 100°F.
5. Drain both sides of exchanger.
6. Dismantle any pipe bends connected to the pressure plate so that it can be moved freely along the carrying bar.
7. Inspect the sliding surfaces of the carrying bar and wipe clean.
8. Brush the threads of the tightening bolts clean with a steel wire brush.
9. Lubricate the threads with a thin layer of grease e.g. molybdenum disulphide or equivalent.
10. Remove protective splash guard.



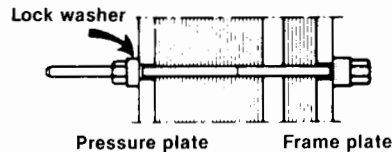
11. Mark the plate assembly on the outside by a diagonal line, or number the plates in sequence.



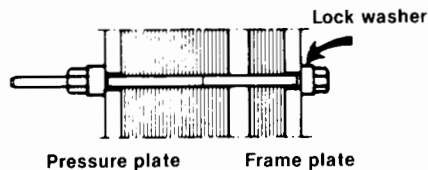
12. Measure and note down the dimension A.

CAUTION: Knowledge of tightening dimension is critical for reassembly. Carefully measure and record before opening unit.

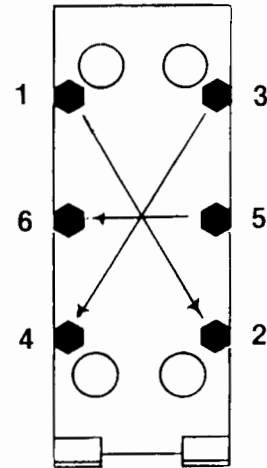
13. The tightening bolts of certain units are provided with a locking washer and wear guide washers. The locking washer is normally placed under the nut at the pressure plate. Loosening and tightening of the bolts are thus carried out via the bolt-head (frame plate).



For installations with limited access, where tightening from the frame plate is not possible, the locking washer can be placed under the bolt head. Loosening and tightening can then be carried out from the pressure plate end.



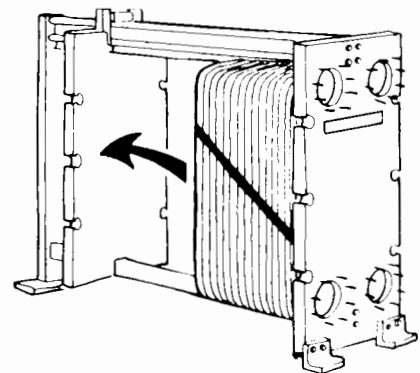
14. If the exchanger has more than six bolts, remove the corner bolts first in order to avoid damage to the channel plate corners. The corner bolts must not be used for opening the heat exchanger.



15. Opening of the heat exchanger is now possible by loosening diagonally opposite pairs. Opening must be carried out evenly so that the pressure plate is not out-of-parallel to the frame plate by more than $\frac{3}{8}$ " (2 turns per bolt) horizontal plane and 1" in the vertical plane.
16. With the tightening bolts removed, the pressure plate can be slid back and channel heat transfer plates can also be slid back for inspection or cleaning.

REMOVAL AND INSERTION OF PLATES

WARNING: TO AVOID HAND INJURIES WHEN HANDLING PLATES, USE PROTECTIVE GLOVES.

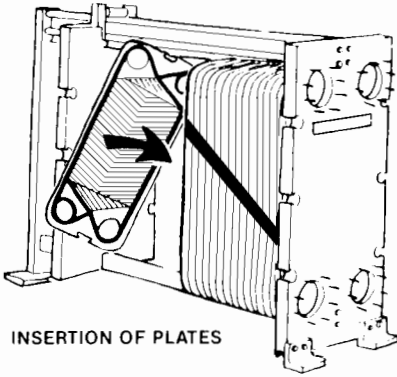


REMOVAL OF PLATES

1. Push the pressure plate against the support column.
2. Remove the plates and number or stack them in sequence.

ITT Bell & Gossett

GPX Plate Heat Exchangers



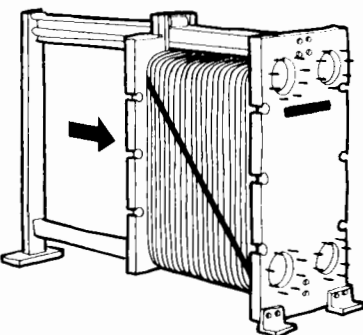
INSERTION OF PLATES

3. Hang the plates with their backs towards the pressure plate (the side without gasket) unless otherwise specified.
4. Always consult plate pack drawing to insure proper plate sequence.
5. Install plates one at a time, pushing them forward toward frame plate.

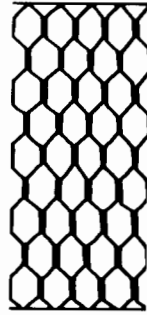
CLOSING

1. Check that all the sealing surfaces (i.e. surfaces in contact with the heat transfer medium) are clean.
2. Check that connection fittings are in position and are in good condition.
3. Clean and lubricate the sliding surfaces of the carrying bar.
4. Inspect the pressure plate roller (if provided).
5. Check drawing to make certain that the plates are hanging in the correct order.
6. Press the plate assembly together. If the plate pack has been marked on the outside (Fig. 3) check this.

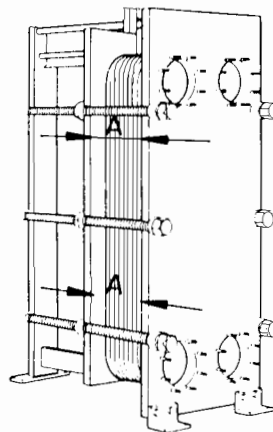
FIG. 3



7. If the plates are correctly assembled, the edges form a "honey comb" pattern.



8. Place the bolts that are fitted with bearing boxes in position.
9. Brush the threads of the bolts clean, using a steel wire brush.
10. Lubricate the threads with a thin layer of grease.
11. Tighten the plate pack using diagonally opposite bolt pairs, the opposite to opening procedure 15 until the plate pack length is reduced to $\pm 1\%$ of dimension "A" in the channel plate assembly instructions supplied with unit. During tightening, the pressure plate must not be out-of-parallel to the frame plate by more than $\frac{3}{8}$ " in the horizontal plane and 1" in the vertical plane.



12. Check the plate pack length ("A") during closing in at least four locations close to the bolts being used.
13. Place the remaining bolts in position and tighten them. This does not apply to the corner bolts on plate heat exchangers with more than six bolts.
14. Now insert the corner bolts and tighten, maintaining dimension "A" of drawing. To avoid damaging the channel plate corners, it is important that the corner bolts are not used for closing the plate heat exchanger.
15. Nominal plate pack length A can be exceeded in some cases, the tightening can be stopped at $A + 2\%$ and pressure tested.

NOTE:

When a pneumatic tightening device is used, it should be set at the maximum torque according to table below. Dimension A must, however, still be measured during tightening.

MAX TIGHTENING TORQUE

Bolt-size	Bolt with bearing box LBF-FT	Bolt with washers LBF-FT
$\frac{5}{8}$ "	N/A	400
1"	N/A	700
$1\frac{1}{2}$ "	1000	1500
2"	1500	2500

When the bolts are tightened by hand using a wrench, the tightening moment is estimated.

IF DIMENSION A IS NOT REACHED WITH APPLICATION OF MAXIMUM TIGHTENING TORQUE:

- Check the number of plates and dimension A.
- Check that all the nuts and bearing boxes are running freely. If not, clean and lubricate or replace.
- Fit all the bolts, and tighten alternately.

16. FINAL CHECKS

- Inspect the washers.
- When fully tightened, the bolts should all be equally tensioned.
- The difference between the plate pack lengths measured at adjacent bolts should not exceed:
 - 0.079 inches when dimension A is < 39.50 inches
 - 0.158 inches when dimension A is > 39.50 inches
- The plate pack length at all bolts must not differ more than 1%.
- If the unit does not seal fully, it can be tightened to give dimension A $- 1\%$. The maximum tightening torque must not, however, be exceeded.

17. Replace protective splash guard.

ITT Bell & Gossett

GPX Plate

Heat Exchangers

F. MAINTENANCE AND CLEANING

1. CLEANING - GENERAL

Cleaning the unit may be accomplished by either backflushing, circulating cleaning agents in unit or by disassembly. If the water contains suspended foreign material, deposits can accumulate in the flow passages. Under these circumstances, backflushing may be adequate to clean unit. If this method is ineffective for the removal of hard scale, you may want to circulate buffered cleaning agents as recommended by the manufacturer of the agents in unit to remove scale or disassemble unit for manual cleaning. To disassemble unit for manual cleaning follow steps given earlier for disassembly.

2. CLEANING PROCEDURES

Plates can be cleaned while hanging on frame or removed depending on how much work is required.

NOTE:

Under no circumstances should hydrochloric acid be used with STAINLESS STEEL PLATES. Water of more than 300 ppm Cl may not be used for the preparation of cleaning solutions. It is very important that carrying bars and support columns in aluminum are protected against chemicals. Do not use brushes with carbon steel bristles or steel wool. A fiber type brush is recommended but as a last resort use a brush of similar material to thermal plates. Be careful not to scratch plates or damage gaskets if they are to be reused. After brushing rinse each plate with water. For better sealing wipe all gaskets dry.

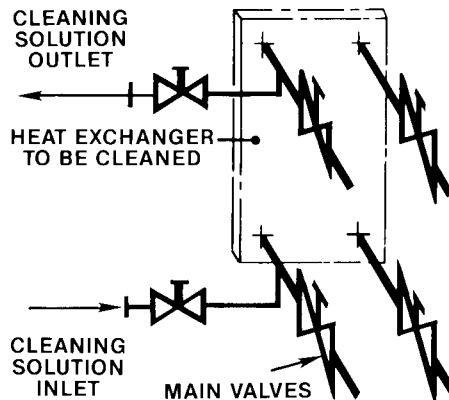
THE FOLLOWING SOLVENTS **SHOULD NOT** BE USED IN CONTACT WITH GASKETS

- Ketones (e.g. Acetone, Methyl ethyl ketone, Methyl isobutyl ketone)
- Esters (e.g. Ethyl acetate, Butyl acetate)
- Halogenated hydrocarbons (e.g. Chloroethane, Carbon tetrachloride, Freons)
- Aromatics (e.g. Benzene, Toluene)

WARNING: Care must be exercised when handling certain fluids. Follow manufacturers instructions. Use eye and skin protection. Wear a respirator when required.

3. CLEANING IN PLACE (CIP)

In applications where extremely corrosive fluids are being used, a clean in place system is recommended to lengthen the life of the thermal plates.



CLEANING IN PLACE PROCEDURE

- a. Close main isolating valves and completely drain the unit thru CIP system
- b. Rinse the unit with warm water (100-110°F) until water becomes clear and/or all traces of process fluid are gone.
- c. Completely drain rinse water from system.
- d. Refill system with water and then add appropriate cleaning solution.
- e. Circulate cleaning solution at approximately 180°F for 3-6 hours.
- f. Drain cleaning solution from unit and rinse with water as in step 2 and 3.
- g. Close CIP system and open main isolating valves.

4. BACKFLUSHING

- a. Many applications utilize fluids that may contain solids and sediments that can be trapped and plug up a plate heat exchanger. If this problem is anticipated it is very beneficial to make provisions in your piping for backflushing the unit.
- b. Backflushing should be done with water at 1½ times the process flow rate.
- c. It is recommended that fluids containing particulate enter at the bottom of the unit and exit at the top. This will cause some solids to collect in bottom of inlet nozzle instead of going into plate pack and clogging.
- d. Another alternative to backflushing is to arrange piping so both fluids can be periodically reversed.

5. GASKET REPLACEMENT—GLUED GASKET TYPE

- a. Before removing the old

gaskets; new gaskets, glue (if required) and degreasing fluid should be obtained. Part numbers for spare gaskets can be found on the spare parts list.

- b. A suitable gasket glue is PLIO-BOND 20.
- c. Suitable gasket groove cleaning fluids are methyl ethyl ketone, petroleum naphtha, and carbon tetrachloride.
- d. A suitable degreasing fluid is Trichloroethylene.

WARNING: Care must be exercised when handling these fluids mentioned in c. & d. above. Follow manufacturers instructions. Use eye and skin protection. Wear a respirator when required.

- e. Remove the old gaskets and proceed as follows:
 - aa. Clean the gasket grooves of the plates carefully with cleaning fluid.
 - bb. Degrease the gaskets with a cloth moistened with degreasing fluid.
 - cc. Apply a thin even coating of glue in the bottom of the gasket groove and on the back of the gasket.

NOTE: Large excess of glue is undesirable as this can lead to joining of adjacent plates and/or deformation of the plates due to hardened glue interfering at metal contact points.

- dd. When the glue is almost dry (usually 3-5 minutes), insert the gasket in the gasket groove, first in the plate ends and after that in the straight gasket grooves along the side of the plate

CAUTION: Gasket may have to be stretched prior to installation to fit the gasket groove. Avoid excess stretching as damage to gasket can result.

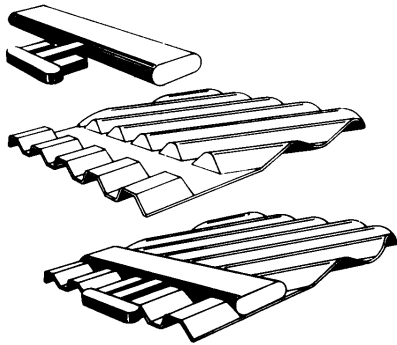
- ee. Evenly press the gasket well down into the gasket groove. Care shall be taken that the gasket is correctly placed in the gasket groove with no part of it being outside the groove. If necessary tape can be used to keep gasket from lifting and twisting until glue hardens and tape is removed for installation.
- ff. The plates should then be placed horizontally on a table during glueing. Stack

the plates as they are finished. Powder the back of the gasket groove with talcum powder in order to prevent the plates from sticking together.

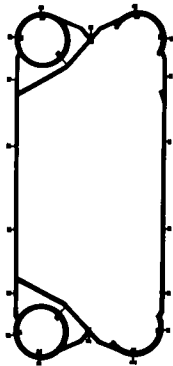
gg. After all the plates have had the gaskets glued in place, reassemble the plate pack and tighten. The glue will cure at the heat exchanger operating temperature.

6. GASKET REPLACEMENT— GLUELESS GASKET TYPE

- Peel old gasket off of plate making sure all parts of gasket are removed.
- Wipe gasket groove clean making certain no foreign material remains that would cause gasket to seat unevenly.
- Installation of **CLIP TYPE glueless gasket**



Attach the clip type gasket to the plate using the gasket prongs which slip under the edge of the plate to hold the gasket securely in alignment in the gasket groove.

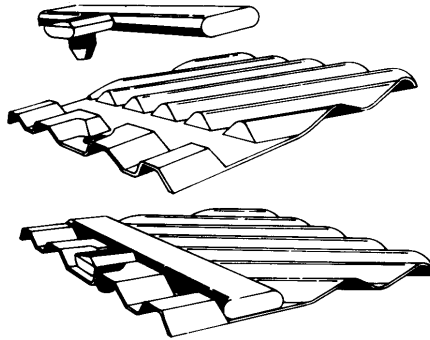


The prongs are situated at regular intervals around the perimeter of the plate.

When the plate heat exchanger is then assembled and tightened, the gasket provides a tight seal around the plate.

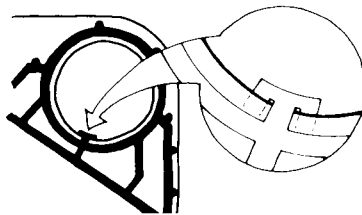
Before closing the plate pack make certain that the gasket prongs are in the correct position.

- Installation of **STUD TYPE glueless gasket**



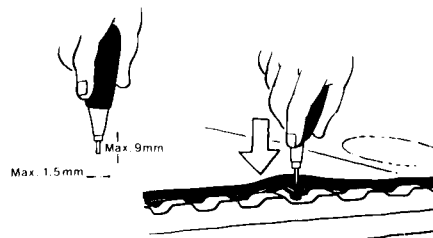
The stud type gasket is attached to the plate by a stud projection being forced through holes on the outer edge of the channel plates. The studs are at regular intervals around the perimeter of the plate to assure proper alignment of gasket and insure a good seal.

Place the gasket with stud type projections downwards into the gasket groove.



Place the ring gaskets in the groove and affix them with the gasket prong.

Use any tool with similar dimensions to push the stud through the hole in the plate.



Remove the tool and repeat process on remaining studs.

Before closing the plate pack make certain that the gasket prongs are in the correct position.

ITT Bell & Gossett

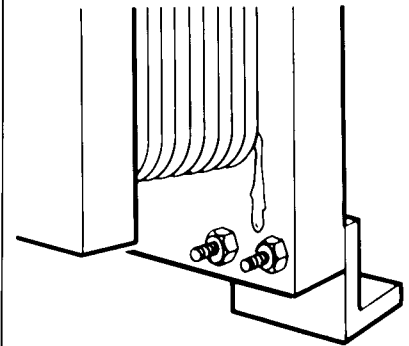
GPX Plate

Heat Exchangers

G. FAULT DETECTION

WARNING: Always relieve pressure before removing splash guard. Test at room temperature with clear water where possible. If not possible, proper precautions must be taken (special clothing, equipment, etc..) to protect personnel from injury due to escaping fluid.

SYMPTOM LEAKAGE between plate pack and frame.



ACTION

Mark with a felt tip marker the area where the leakage seems to be, and open the heat exchanger.

Investigate the gasket condition of the end plate and the connection, if applicable. Look for dislocation, foreign objects, scars and other damage to the gasket surfaces.

CORRECTION

- Relocate the gasket.
- Remove the foreign matter.
- Replace damaged gasket.
- Replace connection lining, if applicable.

ACTION

Check the surface of the pressure plate for unevenness, foreign objects sticking to it, etc.. that might spoil the joint between the gasket and the adjacent surface.

CORRECTION

- Remove anything disturbing the joint between gasket and pressure plate surface.

GPX Plate

Heat Exchangers

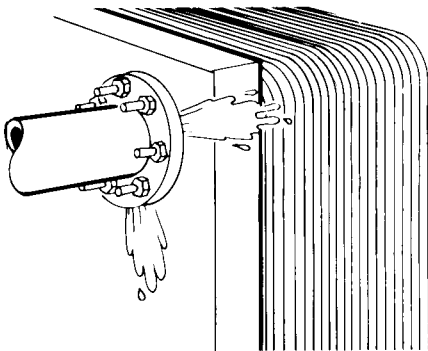
ACTION

Check the plate itself for cracks or holes.

CORRECTION

- A perforated end plate must be replaced.

SYMPTOM LEAKAGE between flange and frame.



ACTION

Disconnect the flange, and look for misalignment between flange and connection, dislocated or damaged gasket, foreign objects on the surface of the gasket or the flange.

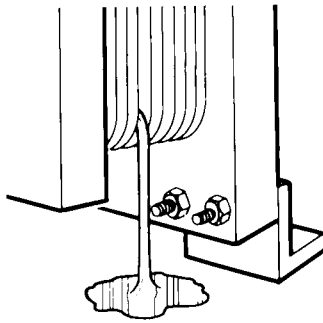
CORRECTION

- Rearrange the pipe in order to eliminate stress and to correct alignment.
- Relocate gasket.
- Replace damaged gasket.
- Replace connection lining if applicable.
- Remove foreign matter from flange and gasket.
- Reassemble, taking care to avoid misalignment.

NOTE: On a Plate Heat Exchanger specially designed for high temperature duties, extreme and sudden temperature drops may sometimes cause a temporary leakage. A typical example is a sudden shutting-off of the hot medium flow. The heat exchanger will normally seal again, as soon as the temperatures of the equipment have stabilized.

SYMPTOM

LEAKAGE between plates to the outside.



ACTION

Mark the leakage area with a felt tip marker on the two plates next to the leakage, check and note the length of the plate pack between inside frame plate and inside pressure plate, and then open the heat exchanger.

Check for loose, dislocated or damaged gasket.

CORRECTION

- Relocate gasket.
- Recement loose gasket.
- Replace damaged gasket.

ACTION

Check for plate damage in the area. Also, check plate pack length against drawing to see if possible plate or gasket damage could have been caused by over-tightening of the plate pack, or the leakage itself simply the result of insufficient tightening.

CORRECTION

- A damaged plate must, in most cases, be taken out for repair or replacement. If it is a regular plate with 4 holes: take the damaged plate and the 4-hole plate (just in front or just behind it) out of the plate pack. The heat exchanger can now be reassembled and put back in service PROVIDED THE PLATE PACK IS TIGHTENED TO A NEW MEASUREMENT, WHICH IS EQUAL TO THE ONE ON THE DRAWING, REDUCED BY TWO TIMES THE SPACE REQUIRED PER PLATE. The small reduction of the heat transfer area is normally not significant, at least not for a short period of time.
- Insufficient tightening must be corrected - see the drawing.

ACTION

Check hanger recess at both plate ends for deformations, which could cause misalignment between the plates.

CORRECTION

- Damaged hanger recesses must be repaired if possible, or the plate replaced.

ACTION

Make sure that the plates are hanging in the correct order A-B-A-B, etc.

CORRECTION

- Incorrect sequence of plates must be corrected (A-B-A-B...). MAKE SURE THAT NO PLATE HAS BEEN DAMAGED, BEFORE REASSEMBLING THE PLATE PACK!

ACTION

Check for perforation of the plate (corrosion).

CORRECTION

- Perforated plates must be replaced.

SYMPTOM

MIXING of media.

ACTION

Check that the piping is connected to the heat exchanger at correct locations.

CORRECTION

- Relocate piping to correct connections.

ACTION

Open the lower connection on one side, raise pressure on the other side and by looking into the open connection try to detect any liquid from the pressurized side leaking in, and if so - approximately how far into the plate pack the leakage is located. If no leakage is detected, the reason for the mixing of media must be sought elsewhere.

ACTION

If a leakage was detected, note the position of the leakage along the plate pack and then open the plate heat exchanger.

ACTION

Before starting on the plates themselves, check that the corner areas between the ring and the field gaskets are clear, that the leakage slots are open. This ensures that any leakage is out of the plate heat exchanger and is to atmosphere. Therefore, no pressure can build up to force the media across the gasket which seals off the other liquid.

ITT Bell & Gossett

GPX Plate

Heat Exchangers

CORRECTION

- All deposits or material which can block the free exit from the area must be removed. If the leak channels of the gasket have been destroyed, they must be reopened with a suitable tool, or the gasket replaced.

ACTION

If it has not been possible to locate the leakage as described above, it will be necessary to check each single plate for possible perforations, using any of the following methods:

- put a strong light behind the plate and watch for light coming through fine holes or cracks
- use a magnifying glass to check suspect area
- use a chemical penetrant, after having cleaned the plates well

CORRECTION

- Plates with holes are, generally speaking, destroyed and must be replaced. For temporary solution with reduced number of plates, see "LEAKAGE between plates to the outside".

SYMPTOM

PRESSURE DROP PROBLEMS. Pressure drop has increased.

ACTION

Check that all valves are open including non return valves.

Measure the pressure just before and just after the heat exchanger, and the flow rate. For viscous media a membrane manometer with a diameter of at least 30 millimeters should be used. Measure or estimate the flow rate if possible. A bucket and a watch showing seconds may be sufficient for small flow rates. For larger flow rates, some type of flowmeter is required.

Compare the pressure drop observed with the one specified for the actual flow rate. (See data print out).

ACTION

If the pressure drop is higher than specified, the temperature program should be checked:

CORRECTION

- See next paragraph.

ACTION

If the thermometer readings correspond to those specified, the heat transfer surface is probably clean enough, but the inlet to the heat exchanger may be clogged by some objects.

CORRECTION

- Open the heat exchanger and take out whatever is clogging the passage, or use the back-flush system - if there is one - to rinse out the cloggings.

ACTION

If the thermometer readings are NOT corresponding to that specified, heat transfer is obviously dropping below specifications because of deposits on the heat transfer surface. At the same time, deposits increase the pressure drop, since the passage becomes narrower.

CORRECTION

- If a "Clean-In-Place" system is available, follow the instruction and use it to wash out the deposits. If not, open the heat exchanger and clean the plates.

ACTION

If the pressure drop is corresponding to the specifications, there is no need for any action.

ACTION

If the pressure drop is lower than specified, the pump capacity is too small or the observation is wrong.

CORRECTION

- See pump instruction manual.

SYMPTOM

HEAT TRANSFER PROBLEMS. The heat transfer capacity is dropping.

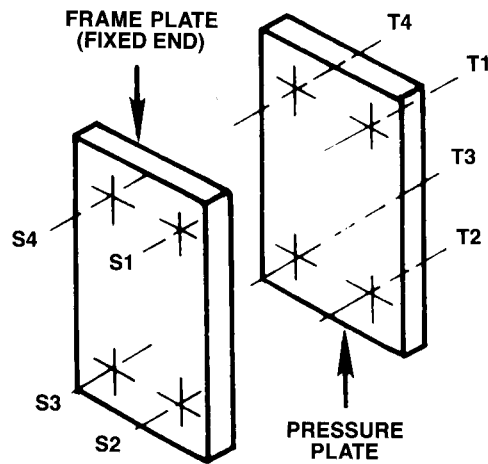
ACTION

Measure temperatures at inlets - and outlets - and also flow rates - on both media, if possible. At least on one of the media, both temperatures and the flow rate must be measured. Check to see if the transferred amount of heat energy corresponds to the specifications.

CORRECTION

- If the heat transfer capacity of the heat exchanger has dropped below specified values, the heat transfer surface, must be cleaned. Either use the "Clean-In-Place" arrangement provided or open the heat exchanger for visual inspection and manual cleaning.

TYPICAL CONNECTION LOCATIONS



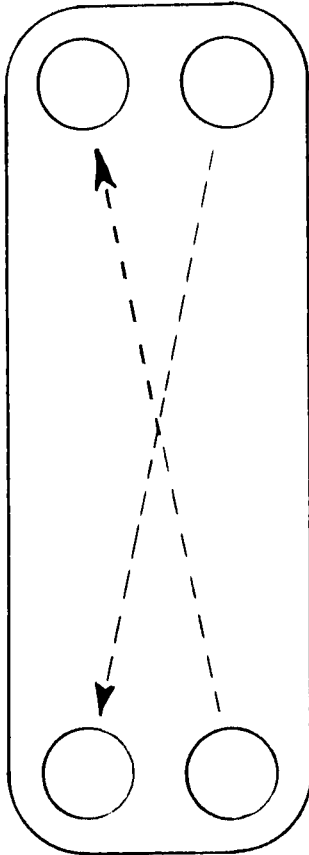
DESCRIPTION	PARALLEL FLOW PATTERN	DIAGONAL FLOW PATTERN
SINGLE PASS		
HOT IN	S1	S1
HOT OUT	S2	S3
COLD IN	S3	S2
COLD OUT	S4	S4
MULTIPASS (EVEN NO. OF PASSES)		
HOT IN	S3	S2
HOT OUT	T3	T2
COLD IN	T2	T3
COLD OUT	S2	S3
MULTIPASS (ODD NO. OF PASSES)		
HOT IN	T3	T2
HOT OUT	S4	S4
COLD IN	S1	S1
COLD OUT	T2	T3

NOTE 1: For multisection or other arrangement, consult factory.

NOTE 2: Connection locations indicated are shown as typical but may not represent all installations. If dimensions and connection locations are needed for prepping layout, write for certified prints.

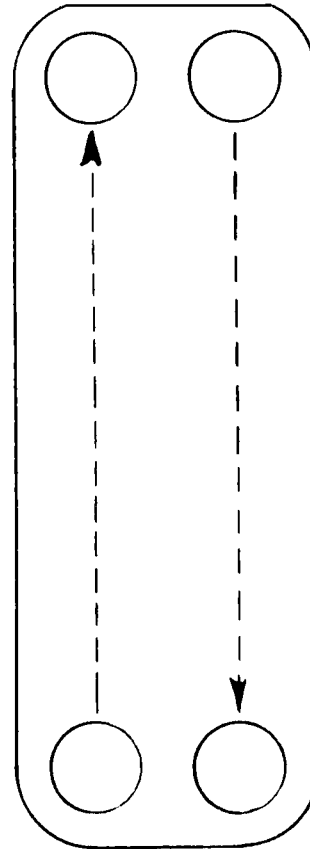
**GPX PLATE HEAT EXCHANGER
FLOW PATTERNS**

DIAGONAL FLOW



UNITS: GPX 34
GPX 130

PARALLEL FLOW



UNITS: GPX 151	GPX 807
GPX 161	GPX 850
GPX 237	GPX 850B
GPX 258B	GPX 1152
GPX 538	GPX 1700
GPX 646	GPX 1980
GPX 678	

NOTE 1: All units are only offered in the flow pattern indicated.

NOTE 2: Flow directional arrows are typical for single pass and may not represent all installations.
If dimensions and connection locations are needed for prepping layout, write for certified prints.

BELL & GOSSETT PRODUCTS

Stocked ... Sold ... Serviced EVERYWHERE!

FOR MORE DETAILS CALL YOUR LOCAL BELL & GOSSETT REPRESENTATIVE

ALABAMA

Mangham & Associates, Inc.
Birmingham
Phone: 205/956-2362
FAX: 205/956-2377

ALASKA

Larry Harrington Co., Inc.
Bellevue (Seattle) WA
Phone: 206/455-0800
FAX: 503/228-0129

ARIZONA

J & B Sales Company
Phoenix
Phone: 602/258-1545
FAX: 602/258-9719

ARKANSAS

Johnson & Scott, Inc.
Little Rock
Phone: 501/227-9462
FAX: 501/225-3709
Hydronic Technology Inc.
Shreveport, LA
Phone: 318/635-0988
FAX: 318/631-4960
Boone & Boone Sales Co., Inc.
Tulsa, OK
Phone: 918/664-9756
FAX: 918/664-1675

CALIFORNIA

California Hydronics Corp.
Hayward (San Francisco)
Phone: 510/293-1993
FAX: 510/293-3080
Roseville
Phone: 916/773-1908
FAX: 916/773-1910
Dawson Co.
Altadena (Los Angeles)
Phone: 818/797-9710
FAX: 818/798-4659
San Diego
Phone: 619/541-7867
FAX: 619/541-0333

COLORADO

J. E. McNevin Company
Denver
Phone: 303/322-0165
FAX: 303/322-0374

CONNECTICUT

The Bernard M. Packtor Co.
Hamden (New Haven)
Phone: 203/288-5241
FAX: 203/287-1798

DELAWARE

R. D. Bitzer Co., Inc.
Elkins Park (Philadelphia), PA
Phone: 215/635-2818
FAX: 215/635-0615
Cummins-Wagner Co., Inc.
Annapolis Junction, MD
Phone: 800/288-1277
FAX: 301/490-7156

FLORIDA

George A. Israel Jr., Inc.
Jacksonville
Phone: 904/355-7867
FAX: 904/355-0077
Miami
Phone: 305/592-5343
FAX: 305/591-4356
Orlando
Phone: 407/423-5078
FAX: 407/423-0918
Tallahassee
Phone: 904/656-2055
FAX: 904/656-1475
Tampa
Phone: 813/839-2161
FAX: 813/832-3182
West Palm Beach
Phone & FAX: 407/640-4131
Mangham & Associates, Inc.
Birmingham, AL
Phone: 205/251-2085
FAX: 205/251-2089

GEORGIA

Clary & Associates, Inc.
Atlanta
Phone: 404/873-1861
FAX: 404/873-1867
George A. Israel Jr., Inc.
Jacksonville, FL
Phone: 904/355-7867
FAX: 904/355-0077
Tallahassee, FL
Phone: 904/656-2055
FAX: 904/656-1475

HAWAII

Dawson Co.
Altadena (Los Angeles) CA
Phone: 818/797-9710
FAX: 818/798-4659

IDAHO

Gritton & Associates, Inc.
Salt Lake City, UT
Phone: 801/486-0767
FAX: 801/485-6364
Larry Harrington Co., Inc.
Portland, OR
Phone: 503/228-4324
FAX: 503/228-0219

ILLINOIS

Bornquist, Inc.
Chicago, IL
Phone: 312/774-2800
FAX: 312/763-6534
Blackmore & Glunt, Inc.
Maryland Hgts. (St. Louis) MO
Phone: 314/878-4313
FAX: 314/878-6029
John A. Sandberg Co., Inc.
East Moline
Phone: 309/796-2371
FAX: 309/796-2330
Hydronic & Steam Equip. Co., Inc.
Indianapolis, IN
Phone: 800/669-4926
FAX: 317/577-7109

INDIANA

Hydronic & Steam Equip. Co., Inc.
Evansville
Phone: 800/473-2753
FAX: 812/479-7650
Fl. Wayne
Phone: 219/489-5785
FAX: 219/489-4369
Indianapolis
Phone: 800/669-4926
FAX: 317/577-7109
South Bend
Phone: 800/932-6490
FAX: 219/234-6611
Bornquist, Inc.
Griffith
Phone: 312/774-2800
FAX: 312/763-6534
Cincinnati, OH
Phone: 513/489-5225
FAX: 513/489-8755

IOWA

Products, Inc.
Des Moines
Phone: 515/288-5738
FAX: 515/288-2574
John A. Sandberg Co., Inc.
East Moline, IL
Phone: 309/796-2371
FAX: 309/796-2330
Verne Simmonds Co.
Omaha, NE
Phone: 402/592-3131
FAX: 402/592-0853

KANSAS

Blackmore & Glunt, Inc.
Lenexa (Kansas City)
Phone: 913/469-5715
FAX: 913/469-1085

KENTUCKY

Blackmore & Glunt, Inc.
Cincinnati, OH
Phone: 513/489-5225
FAX: 513/489-8755
Hydronic & Steam Equip. Co., Inc.
Evansville, IN
Phone: 800/473-2753
FAX: 812/479-7650
Johnson & Scott, Inc.
Nashville, TN
Phone: 615/254-5454
FAX: 615/242-9243

LOUISIANA

Hydronic Technology Inc.
New Orleans
Phone: 504/827-1163
FAX: 504/827-1167
Shreveport
Phone: 318/635-0988
FAX: 318/631-4960

MAINE

F.I.A., Inc.
Woburn (Boston) MA
Phone: 617/938-8900
FAX: 617/933-3965

MARYLAND

Cummins-Wagner Co., Inc.
Annapolis Junction
Phone: 800/288-1277
FAX: 301/490-7156
Thermoflo Equipment Co., Inc.
Pittsburgh, PA
Phone: 412/366-2012
FAX: 412/367-0842

MASSACHUSETTS

F.I.A., Inc.
Woburn (Boston)
Phone: 617/938-8900
FAX: 617/933-3965
The Bernard M. Packtor Co.
Hamden (New Haven) CT
Phone: 203/288-5241
FAX: 203/287-1798
Albany, NY
Phone: 518/459-1066
FAX: 518/458-8776

MICHIGAN

R. L. Deppmann Co.
Southfield (Detroit)
Phone: 810/354-3710
FAX: 810/354-3763
Grand Rapids
Phone: 616/957-0630
FAX: 616/957-5160
Saginaw
Phone: 517/777-2960
FAX: 517/777-5061
Hydro-Flo Products, Inc.
Brookfield (Milwaukee) WI
Phone: 414/781-2810
FAX: 414/781-2228

MINNESOTA

Bernard J. Mulcahy Co., Inc.
Bloomington
Phone: 612/854-3621
FAX: 612/854-7586

MISSISSIPPI

Hydronic Technology Inc.
New Orleans, LA
Phone: 504/827-1163
FAX: 504/827-1167
Johnson & Scott, Inc.
Little Rock, AR
Phone: 501/227-9482
FAX: 501/225-3709

MISSOURI

Blackmore & Glunt, Inc.
Lenexa (Kansas City) KS
Phone: 913/469-5715
FAX: 913/464-1085
Maryland Hgts. (St. Louis)
Phone: 314/878-4313
FAX: 314/878-6029

MISSOURI (Cont'd.)

Johnson & Scott, Inc.
Memphis, TN
Phone: 901/345-3404
FAX: 901/345-8522
Larry Harrington Co., Inc.
Spokane, WA
Phone: 509/325-1654
FAX: 509/325-6838

NEBRASKA

Verne Simmonds Co.
Omaha
Phone: 402/592-3131
FAX: 402/592-0853

NEVADA

California Hydronics Corp.
Sacramento, CA
Phone: 916/447-2442
FAX: 916/447-1729
Dawson Co.
Las Vegas, NV
Phone: 702/735-1226
FAX: 702/735-1232

NEW HAMPSHIRE

F.I.A., Inc.
Woburn (Boston) MA
Phone: 617/938-8900
FAX: 617/933-3965
Gritton & Associates, Inc.
Salt Lake City, UT
Phone: 801/486-0767
FAX: 801/485-6364

NEW JERSEY

Wallace-Eannace Assoc., Inc.
Franklin Lakes
Phone: 201/891-9550
FAX: 201/891-4298
R. D. Bitzer Co., Inc.
Elkins Park (Philadelphia), PA
Phone: 215/635-2818
FAX: 215/635-0615

NEW MEXICO

Boyd Engineering Co., Inc.
Albuquerque
Phone: 505/275-1250
FAX: 505/275-1193

NEW YORK

Wallace-Eannace Assoc., Inc.
Plainville
Phone: 516/454-9300
FAX: 516/454-9307
Frank P. Langley Co., Inc.
Endwell
Phone: 607/754-5357
FAX: 607/748-6970
Rochester
Phone: 716/248-5010
FAX: 716/391-0512
Amherst (Buffalo)
Phone: 716/691-7575
FAX: 716/691-7347
The Bernard M. Packtor Co.
Albany
Phone: 518/459-1066
FAX: 518/458-8776
Syracuse Thermal Products, Inc.
East Syracuse
Phone: 315/437-7321
FAX: 315/437-7429

NORTH CAROLINA

James M. Pleasants Co., Inc.
Greensboro
Phone: 910/378-9911
FAX: 910/378-2588

NORTH DAKOTA

Bernard J. Mulcahy Co., Inc.
Bloomington, MN
Phone: 612/854-3621
FAX: 612/854-7586

OHIO

Blackmore & Glunt, Inc.
Cincinnati
Phone: 513/489-5225
FAX: 513/489-8755

OHIO (Cont'd.)

Omni-Flow, Inc.
Macedonia (Cleveland)
Phone: 216/468-1102
FAX: 216/468-1113
Steffens-Shultz, Inc.
Columbus
Phone: 614/274-5515
FAX: 614/274-0126
Dayton
Phone: 513/278-7903
FAX: 513/278-7825
Thermoflo Equipment Co., Inc.
Pittsburgh, PA
Phone: 412/366-2012
FAX: 412/367-0842

OKLAHOMA

Boone & Boone Sales Co., Inc.
Oklahoma City
Phone: 405/525-7475
FAX: 405/521-1448
Tulsa
Phone: 918/664-9756
FAX: 918/664-1675

OREGON

Larry Harrington Co., Inc.
Portland
Phone: 503/228-4324
FAX: 503/228-0219

PENNSYLVANIA

R. D. Bitzer Co., Inc.
Elkins Park (Philadelphia)
Phone: 215/635-2818
FAX: 215/635-0615
Thermoflo Equipment Co., Inc.
Pittsburgh
Phone: 412/366-2012
FAX: 412/367-0842
Frank P. Langley Co., Inc.
Amherst (Buffalo) NY
Phone: 716/691-7575
FAX: 716/691-7347

RHODE ISLAND

F.I.A., Inc.
Woburn (Boston) MA
Phone: 617/938-8900
FAX: 617/933-3965

SOUTH CAROLINA

James M. Pleasants Co., Inc.
Greensboro, NC
Phone: 910/378-9911
FAX: 910/378-2588

SOUTH DAKOTA

Bernard J. Mulcahy Co., Inc.
Bloomington, MN
Phone: 612/854-3621
FAX: 612/854-7586
Verne Simmonds Co.
Omaha, NE
Phone: 402/592-3131
FAX: 402/592-0853

TENNESSEE

Johnson & Scott, Inc.
Nashville
Phone: 615/254-5454
FAX: 615/242-9243
Memphis
Phone: 901/345-3404
FAX: 901/345-8522

TEXAS

Clary & Associates, Inc.
Atlanta, GA
Phone: 404/873-1861
FAX: 404/873-1867
James M. Pleasants Co., Inc.
Greensboro, NC
Phone: 910/378-9911
FAX: 910/378-2588

TEXAS

Boyd Engineering Co., Inc.
Albuquerque, NM
Phone: 505/275-1250
FAX: 505/275-1193
Oslin Nation Company
Austin
Phone: (512) 306-1672
FAX: (512) 306-1673

TEXAS (Cont'd.)

Oslin Nation Company (Cont'd.)
Dallas
Phone: 214/631-5650
FAX: 214/988-1446
Sugar Land
Phone: 713/240-6950
FAX: 713/240-6957
San Antonio
Phone: 210/490-7272
FAX: 210/490-7330
Therm/Mech Sales
Lubbock
Phone: 806/763-5411
FAX: 806/763-7036

UTAH

Gritton & Associates, Inc.
Salt Lake City
Phone: 801/486-0767
FAX: 801/485-6364

VERMONT

F.I.A., Inc.
Woburn (Boston) MA
Phone: 617/938-8900
FAX: 617/933-3965
The Bernard M. Packtor Co.
Albany, NY
Phone: 518/459-1066
FAX: 518/458-8776

VIRGINIA

TLA, Inc.
Richmond
Phone: 804/321-4444
FAX: 804/321-3112
Virginia Beach
Phone: 804/497-3567
FAX: 804/490-7362
Cummins-Wagner Co., Inc.
Annapolis Junction, MD
Phone: 800/288-1277
FAX: 301/490-7156

WASHINGTON

Larry Harrington Co., Inc.
Bellevue (Seattle)
Phone: 206/455-0800
FAX: 206/455-4640
Spokane
Phone: 509/325-1654
FAX: 509/325-6838

WASHINGTON, DC

Cummins-Wagner Co., Inc.
Annapolis Junction, MD
Phone: 301/792-4230
FAX: 301/490-7156

WEST VIRGINIA

Blackmore & Glunt, Inc.
Cincinnati, OH
Phone: 513/489-5225
FAX: 513/489-8755

TLA, Inc.

Richmond, VA
Phone: 804/321-4444
FAX: 804/321-3112
Thermoflo Equipment Co., Inc.
Pittsburgh, PA
Phone: 412/366-2012
FAX: 412/367-0842

WISCONSIN

Hydro-Flo Products, Inc.
Brookfield (Milwaukee)
Phone: 414/781-2228
FAX: 414/781-2228
Bernard J. Mulcahy Co., Inc.
Bloomington, MN
Phone: 612/854-3621
FAX: 612/854-7586

WYOMING

Gritton & Associates, Inc.
Salt Lake City, UT
Phone: 801/486-0767
FAX: 801/485-6364
J. E. McNevin Co.
Denver, CO
Phone: 303/322-0165
FAX: 303/322-0374

BELL & GOSSETT INTERNATIONAL Contact: Export Dept., ITT Bell & Gossett, 8200 N. Austin Avenue, Morton Grove, IL 60053
Phone: 708/966-3700 FAX: 708/966-8366 Cable: BELGOSSETT Morton Grove, IL

IN CANADA Contact: ITT Fluid Products Canada, 55 Royal Road,
Guelph, Ontario, N1H 1T1, Canada — Phone: 519/821-1900

For further information, contact ITT Bell & Gossett Heat Transfer Products, 175 Standard Parkway, Cheektowaga, NY 14227,
Phone: (716) 862-4171 — Facsimile (716) 862-4176.