



FILTER DRAWER



Vacuum Receiver Screen Access Made Easy



The easy clean Filter Drawer installs quickly with no tools and permits safer, easier access to the screen filters of Conair DuraLoad vacuum receivers.

The easy clean Filter Drawer is highly recommended for processors that do not require frequent material changes, but need an easy method for checking and cleaning their receiver's filter screen.

The Filter Drawer fits between the lid and body of Conair Receivers and provides easy screen filter access, without the need for lid removal. Tool-free twist clamps hold the drawer in place and once released, allow the drawer to slide out, exposing the screen disc, nested in the drawer cradle. Once checked, cleaned or replaced, the screen may be easily slid back into position above the loader body and clamped vacuum tight.

- **Make screen access easier**

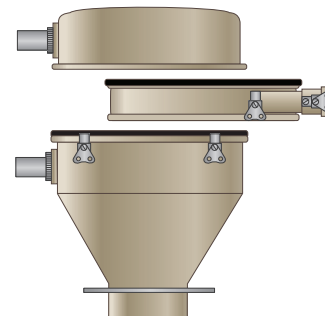
For processors that want a safer, easier method for checking their filter screen.

- **Easy add-on module**

It may be installed and removed quickly with no tools.

- **Low profile**

The Filter Drawer adds only 3.5 inches {89 mm} to the installed height.



| MODELS | FD-12 | FD-15 | FD-20 | FD-25 |
|------------------------|----------|----------|----------|----------|
| Part Number | 10061601 | 10061602 | 10061603 | 10061604 |
| Dimensions inches {mm} | | | | |
| Nominal diameter | 12 {304} | 15 {381} | 20 {508} | 25 {635} |
| DuraLoad models | DL-12 | DL-15 | DL-20 | DL-25 |

Call Conair today to make your filter screen service faster, easier and more effective!

Parts and Service (U.S. and Canada): 800.458.1960
International: +1.814.437.6861