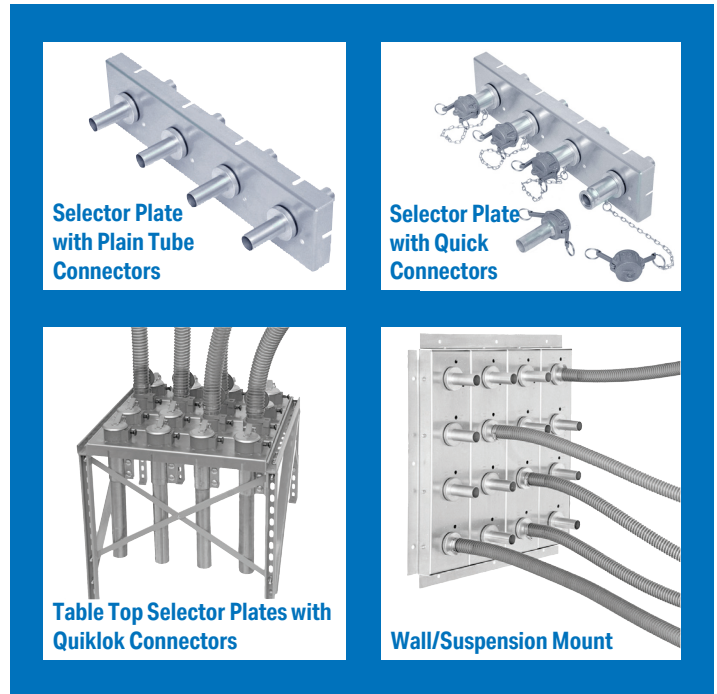


Expandable Manifold System for Multiple Lines

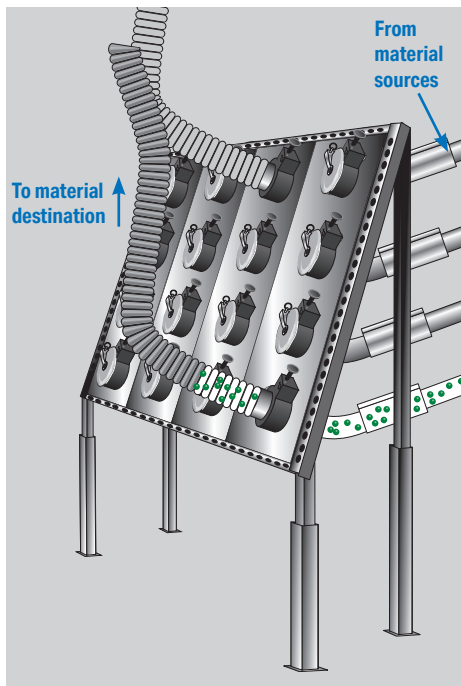
Conair Selector Plates are ideally suited for central drying and distribution systems that require conveying multiple materials to multiple destinations.

Wall mount, table top and vertical frame designs can be placed anywhere between the material sources and destinations. Modular design provides a variety of configurations for flexibility and expansion.

Quick-disconnect style connectors makes changing materials fast and easy. Simply purge the line to assure it is clean and primed for the next conveying cycle, then move the connector to the desired material source line.



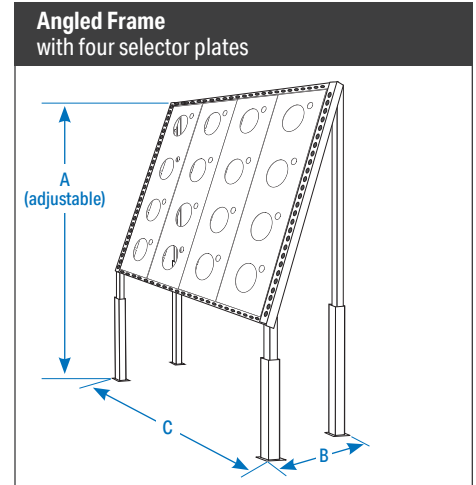
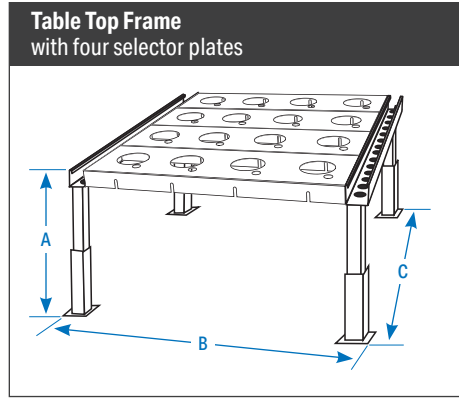
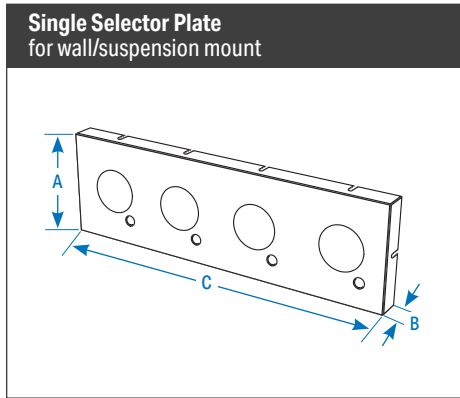
Convey Multiple Sources to Multiple Destinations



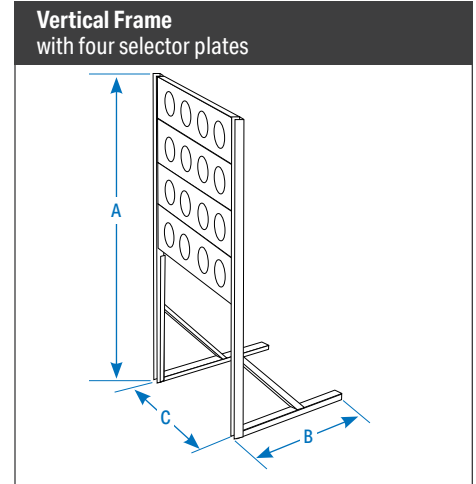
Selector Plates on a vertical angled frame.

- ▶ **Flexible design**
Mounts in a wall or on a floor stand. Modular plates and connectors allow you to choose the best combination of line sizes, manifolds and connectors to suit your application.
- ▶ **Easy to use**
Simply move your material line hose from one connector to another to change material destinations.
- ▶ **Durable construction**
Rugged construction ensures long life. Material contact points are non-ferrous to prevent contamination and require minimal maintenance.
- ▶ **Accurate**
Optional electronic proofing available to assure material is being conveyed correctly.

Specifications



Selector Plate Models	SP 150	SP 175	SP 200	SP 225	SP 250
Performance characteristics					
Line size inches (mm)	1.5 {38}	1.75 {45}	2.0 {51}	2.25 {57}	2.5 {64}
Dimensions inches (cm)					
A - Height of a single plate				7.0 {18}	
B - Depth of a single plate				1.75 {4}	
C - Width of a single plate				28.0 {71}	
Weight lb {kg}					
Shipping weight *	200 {91}	275 {125}	350 {159}	475 {215}	600 {272}



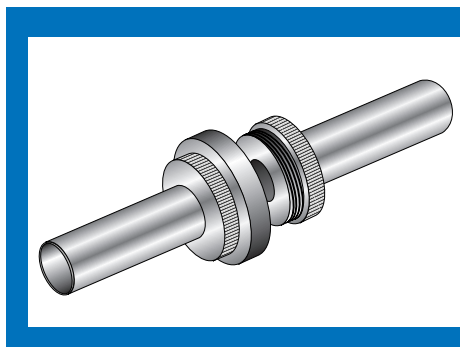
Mounting options	Wall Mount	Table Top	Angled Frame	Vertical Frame
Performance characteristics				
Number of Selector Plates	1 or more	1 to 8		
Dimensions inches (cm)				
A - Height				
Single plate	7 {18}	32 {81}	N/A	
Four plates	28 {71}	32 {81}	Adjustable 56 to 76 {142 to 193}	
Six plates	42 {107}	32 {81}	Adjustable 56 to 76 {142 to 193}	
Eight plates	56 {142}	32 {81}	Adjustable 56 to 76 {142 to 193}	
B - Depth of a single plate	1.75 {4}	31.5 {80}	24 {61}	32 {81}
C - Width	Single Plate	4 plates wide	6 plates wide	8 plates wide
Single plate	28 {71}	7 {18}	N/A	31.5 {80}
Four plates	28 {71}		31.5 {80}	
Six plates	28 {71}	42 {107}	45.5 {116}	31.5 {80}
Eight plates	28 {71}	56 {142}	59.5 {151}	31.5 {80}

Specification Notes

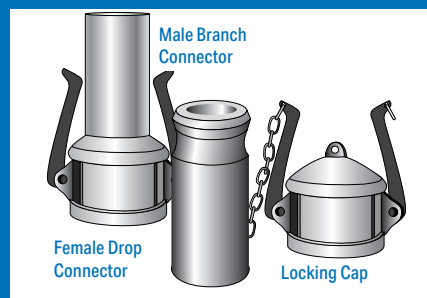
* Weights are based on using the maximum number of selector plates and connectors.

These tables define standard configurations only. Specifications may change without notice. Consult with a Conair representative for the most current information.

Connector Options



Plain Tube Connectors
Tubes are stainless steel to prevent material contamination. Attach flexible hose to the tube ends using hose clamps.



Quick Connectors
Aluminum connectors and caps lock manually to seal. Flexible hose attaches to the tube end of the drop connector.