

Assure Metal Free Processing

There is no substitute for the elimination of tramp metal from your process stream. Damaged screws, molds or dies, plugged gates and clogged filter packs stop productivity and often lead to costly process equipment downtime and expensive repairs. A drawer magnet provides the single best investment your process can make in protection against metal contamination and the damage it can cause. Drawer magnets provide a filter of magnetic power to draw ferrous metals out of the material stream, collect them and allow them to be safely removed from the process stream.

The Conair MG Series drawer magnets are capable of separating ferrous metals too small to be visible, for the utmost in protection.



Model MG2
(Shown with optional slide gate.)

Designed for Reliable Tramp Metal Filtration

Drawer magnets provide a safeguard against the entry of ferrous metal into the process. Staggered rows of powerful, neodymium rare earth cartridge magnets provide a smooth, yet asymmetrical path for resin flow, assuring that material passes in close proximity to one of the powerful magnets. The magnets attract and then hold the tramp metal securely until it is removed from the magnet surface by the operator.

The robust magnet housing is constructed of 11 gauge (3.18 mm) welded stainless steel to safely support material handling equipment above it. The flat, top surface may be custom drilled to suit. A bottom flange is provided for match drilling to the processing machine throat. Options include low-profile models, to minimize stack-up height and material shut off gates to allow cleaning with-out draining material.

The magnetic cartridges are mounted in a rugged, removable, clear faceplate for easy access and cleaning. Options include self-cleaning models equipped with stainless steel sleeves around the magnet, allowing the magnet cartridge to be withdrawn from the sleeve, and collected metal to easily fall away.

▶ Superior contaminant capture

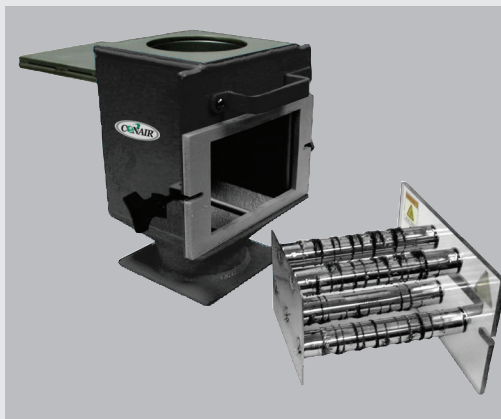
Neodymium, rare earth, temperature compensated magnets never lose their power; even when installed over hot, processing machine throats.

▶ Stack-up strength

Up to 10,000 pounds (4536 kg) of symmetrical load may be safely installed above the rugged stainless steel housing.

▶ Easy cleaning

Large, high-torque hand knobs on swing bolts release the clear faceplate of the magnet drawer for easy cleaning.



Metal particles and fines are collected on the powerful magnetic cartridges for safe removal from the process material stream.

Advanced Metal Detection Solutions

Conair offers a wide range of integrated metal detection solutions for both ferrous and non-ferrous metals. Systems can include fully integrated loading and storage plus reject elimination. Contact a Conair representative for more information.

- Pneumatic conveying line magnets
- High volume (silo mounted) magnets
- Grate magnets
- Conveyor magnets
- Machine mounted all metal separators

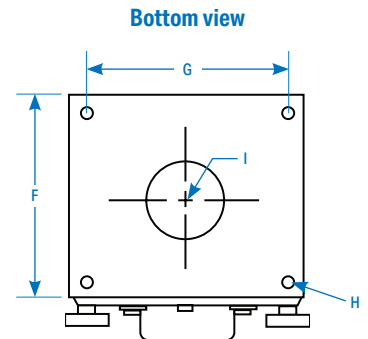
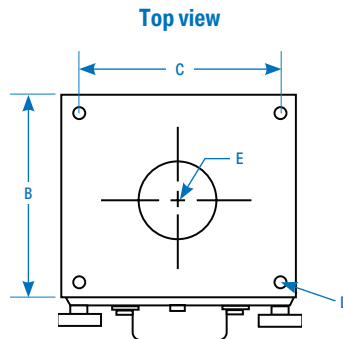
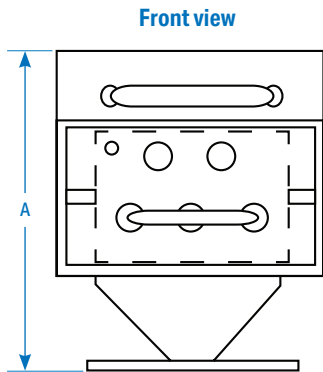


Options

To match your processing needs, Conair offers many options to streamline control of your process flow.

- Self-cleaning magnets
- Material shut-off gate above magnet drawer
- Vacuum tight magnet drawer for direct feed loaders
- High temperature gaskets
- Purge spout
- Drain port
- Liquid colorant dispensing port

Specifications



Models	MG1	MG2	MG3	MG4
Dimensions inches {mm}				
A - Standard housing height*	10.500 {267}	10.625 {270}	10.875 {276}	12.875 {327}
Standard housing with slide gate height†	10.500 {267}	10.625 {270}	10.875 {276}	12.875 {327}
Low profile housing height*	N/A	5.688 {144}	5.938 {151}	6.188 {191}
Low profile housing with slide gate height†	N/A	7.250 {184}	7.500 {191}	7.750 {157}
B - Top mounting plate size (sq.)	4 {102}	6 {152}	8 {203}	10 {254}
C - Top mounting plate bolt pattern (sq.)	3 {76}	5 {127}	7 {178}	8 {203}
D - Top mounting bolt thread size	3/8-16		1/2-13	
E - Top material hole diameter	2 {51}	3 {76}	5 {127}	6 {152}
F - Bottom mounting plate size (sq.)	4 {102}	6 {152}	8 {203}	10 {254}
G - Bottom mounting plate bolt pattern (sq.)	3 {76}	5 {127}	7 {178}	8 {203}
H - Bottom mounting bolt hole size	7/16 {11}		9/16 {14}	
I - Bottom material hole diameter	1.875 {48}	2.875 {73}	4.875 {124}	5.875 {149}

Specification Notes

* Height may vary up to 0.25 - 0.375 in. {6 - 10 mm} depending on the thickness of the flange required. Standard flange thickness is 0.25 in. {6 mm}.

† Slide gate is optional.

Top mounting bolt holes are threaded. Bottom mounting plate is provided with clearance holes for bolts.

Stainless steel housing is equipped with cast steel top and bottom mounting flanges.

Specifications may change without notice. Consult with a Conair representative for the most current information.

