

Removes Solids From the Cooling System

This uniquely designed media filter is ideal for removing suspended solids in the cooling system.

The special media removes solids down to 0.5 microns. As particulates are removed from the process water, the unit will automatically backflush to self-clean based on time or increasing pressure drop.



Model SMF-20

Unit Reduces Installation and Downtime

The SMF Series media filter systems are delivered to you preassembled on a skid mounted package. Only filter inlet and filter outlet connections and electrical hookup is required on tower water backwash systems.

The systems include a centrifugal selfpriming pump, pre-strainer, fiberglass vessel, bronze three-way valves and control center.

Pre-plumbed and factory tested, this unit will provide years of service with only minor maintenance. Your process cooling water will be clean and efficient allowing you to achieve maximum profits.

Units can be specified with either process (tower) water backflush or city water backflush, which requires an extra hookup.

▶ Will not corrode

Strong, light modeled fiberglass is rated to 50 psig and will not corrode. Choose your model from a range of sizes. The exclusive distribution system minimizes backwash time.

▶ Pre-assembled piping system

All interconnecting pipe is sturdy schedule 80 PVC. None of the ferrous components are wetted. The pump is bronze with a self priming prestrainer. The pump motor is totally enclosed and fan cooled. The prestrainer can be separately maintained.

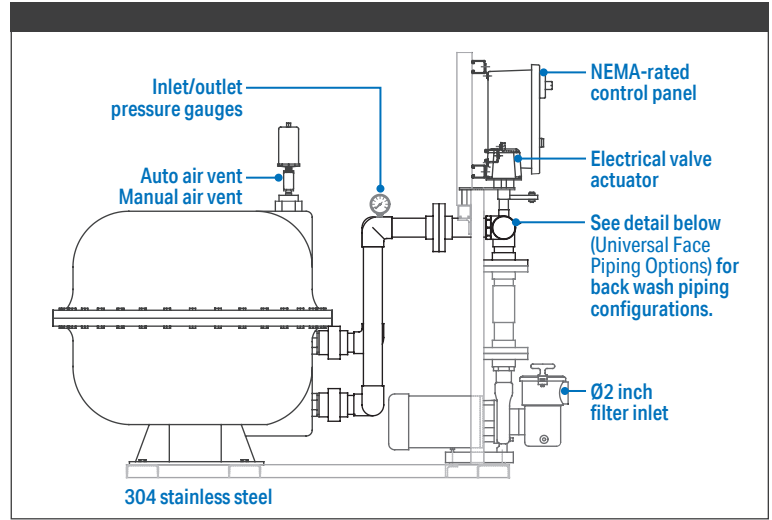
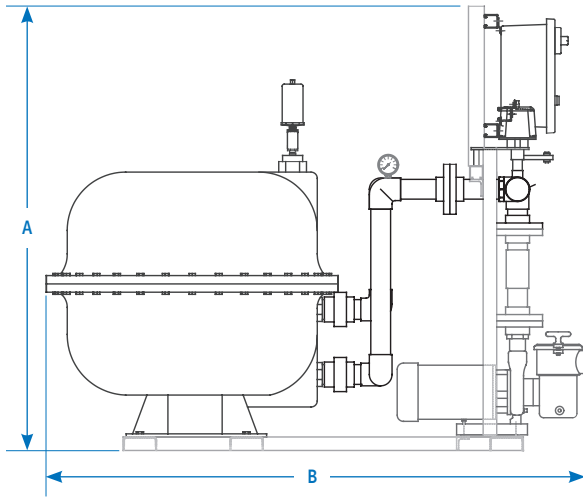
▶ Automatic backwashing

Standard flow is from down to up in the media vessel. When the media is clogged the system changes the flow to upward in the media, fluidizing the bed which washes the trapped debris down the drain.

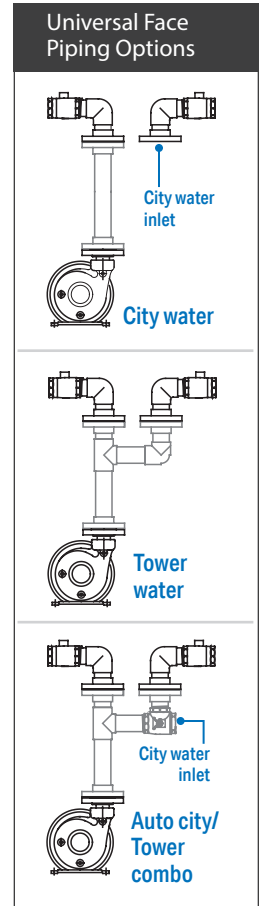
▶ Outdoor duty controls

Epoxy coated NEMA 3R control center contains disconnect, motor starter with thermal overload, control circuit transformer, solid state time, NEMA 4 differential pressure switch and manual backwash button.

Specifications



Model	SMF-20	SMF-24	SMF-30	SMF-36	SMF-42	SMF-48
Performance characteristics						
Cooling tower system capacity tons	to 280	to 460	to 650	to 940	to 1280	to 1590
Pump Hp {kW}	1 {.75}	2 {1.5}	3 {2.3}		5 {3.8}	
Pump flow rate GPM {l/min}	43 {162.8}	63 {238.5}	98 {370.9}	142 {537.5}	192 {726.8}	253 {953.9}
Pipe Connections NPT inches						
Inlet suction strainer	2 1/2 flanged		3 flanged		4 flanged	
Outlet	2 FNPT			3 FNPT		
Drain (backwash out)	2 FNPT			3 FNPT		
Dimensions inches {cm}						
A - Height	53 {135}				61 {155}	
B - Width	57 {145}	58 {147}	66 {168}	76 {193}	88 {224}	93 {236}
Depth	29 {74}		30 {76}	39 {99}	42 {107}	48 {122}
Backflush water requirements						
Backwash flow rate GPM {l/min}	43 {163}	63 {238}	98 {371}	142 {538}	200 {757}	250 {946}
2-minute backwash cycle discharge volume gal {l}	86 {326}	126 {477}	196 {742}	284 {1075}	400 {1514}	500 {1893}
Approximate weight lb {kg}						
Installed	615 {279}	770 {349}	1165 {528}	1900 {862}	3000 {1361}	4360 {1978}
Shipping	410 {186}	425 {193}	500 {227}	700 {318}	900 {408}	1100 {499}
Voltage Total full load amps based on motor size *						
208v/3 phase/60 Hz	6.6	4.0	10.6		16.7	24.2
230v/3 phase/60 Hz	6.0	3.6	9.6		15.2	22.0
460v/3 phase/60 Hz	3.0	1.8	4.8		7.6	11.0
575v/3 phase/60 Hz	2.4	1.4	3.9		6.1	9.0



Specification Notes

* FLA data for reference purposes only. Does not include any options or accessories on equipment. For full FLA detail for power circuit design of specific machines and systems, refer to the electrical diagrams of the equipment order and the nameplate applied to the machine.

Specifications may change without notice. Consult with a Conair representative for the most current information.

