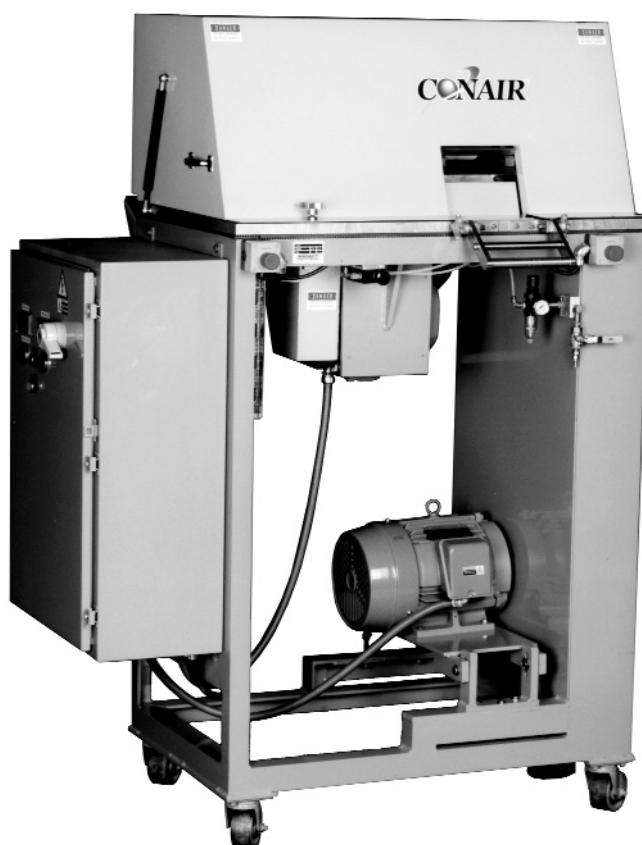
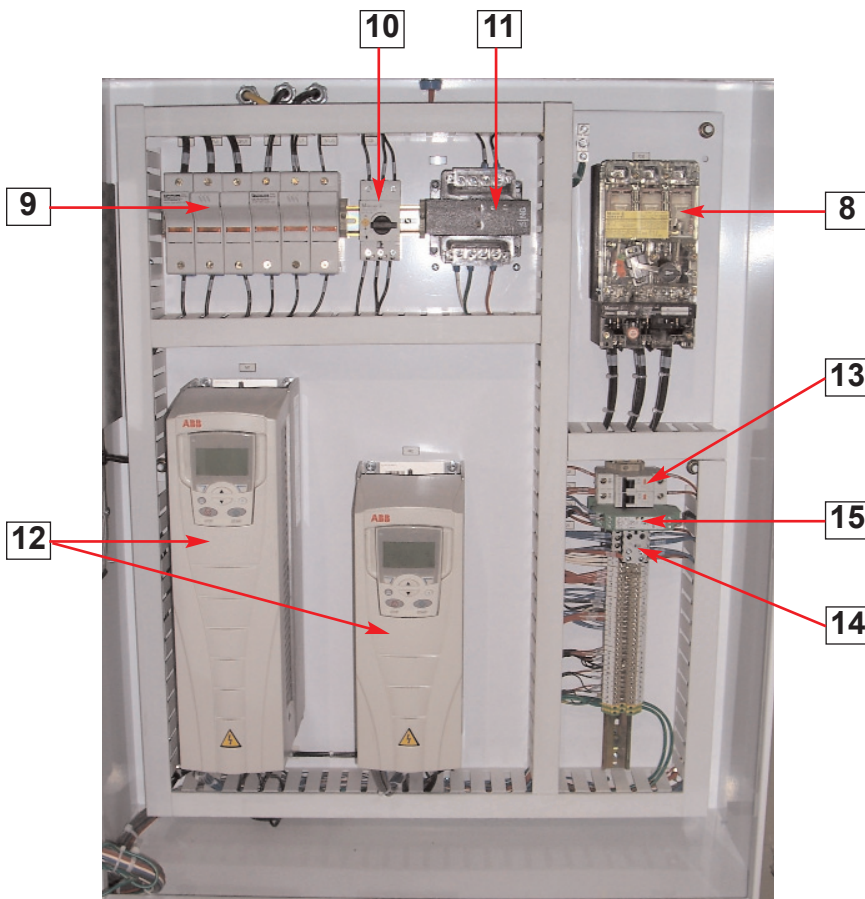
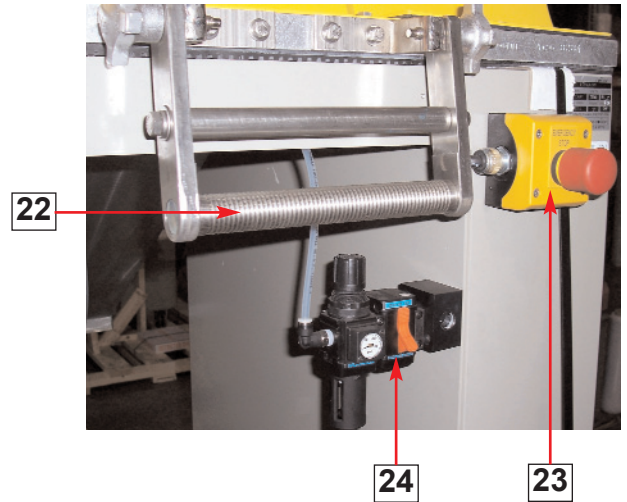
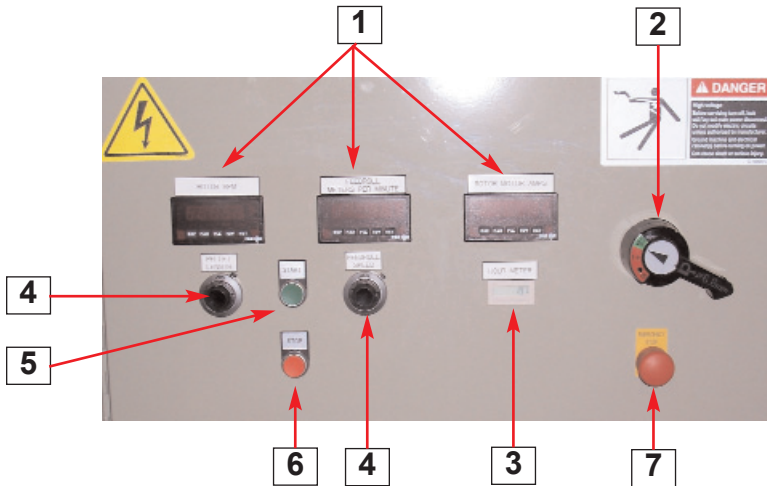


Parts Identification Guide
PIP004/0406

Strand Pelletizers

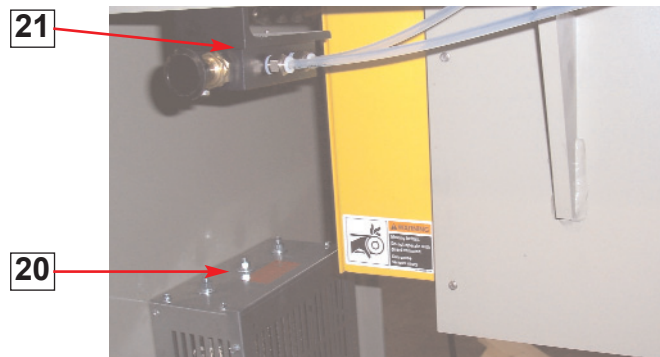
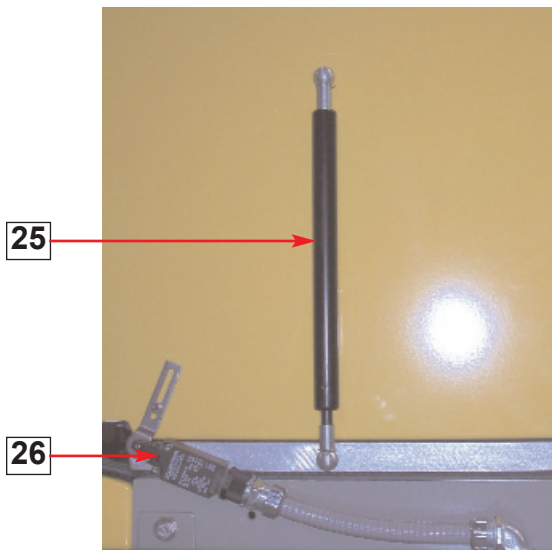
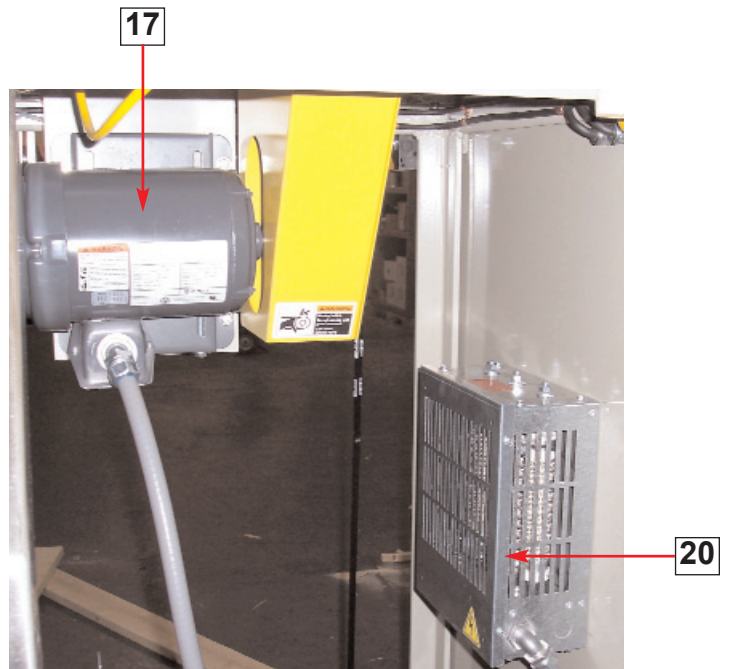
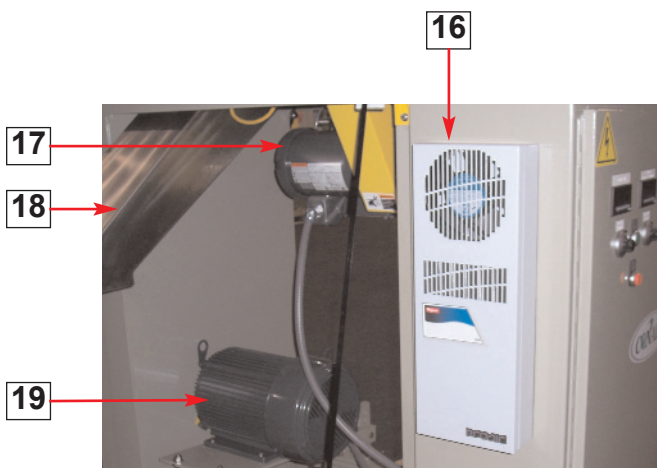
T200 Series





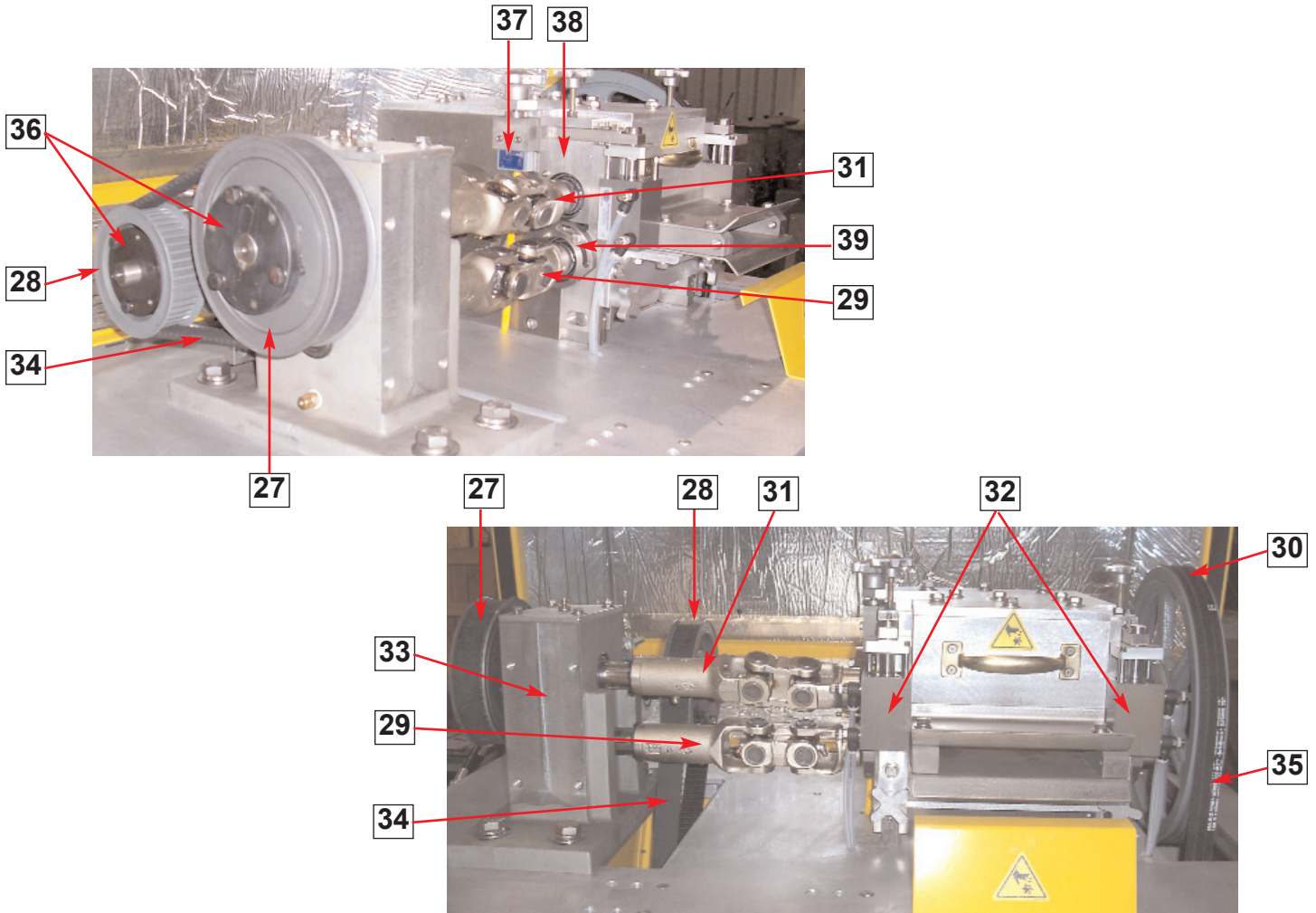
**Strand Pelletizers
T200 Series**

1. Digital Readouts
2. Disconnect Handle
3. Counter
4. Potentiometer
5. Start Button
6. Stop Button
7. Emergency Stop Button
8. Disconnect Switch
9. Fuses
10. Starter
11. Transformer
12. Drive Unit
13. Breaker
14. Relay
15. Power Supply
22. Spreader Bar
23. Emergency Stop Assembly
24. Air Pressure Gauge



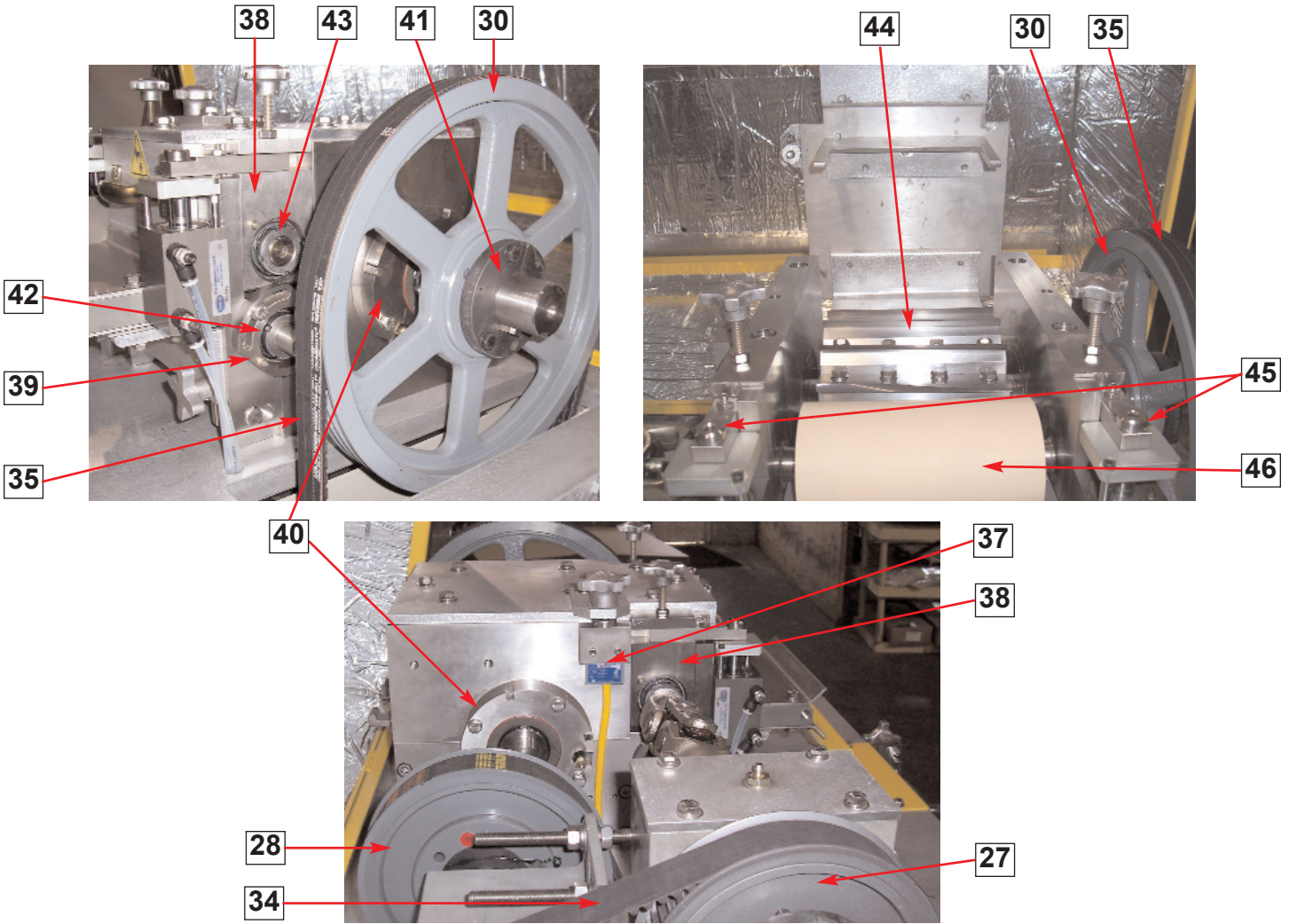
Strand Pelletizers T200 Series

- 16. Fan / Exhaust Unit
- 17. Gearbox Motor
- 18. Discharge Chute
- 19. Rotor Motor
- 20. Dynamic Brake
- 21. Push-Pull Valve
- 25. Hood Strut
- 26. Hood Safety Switch



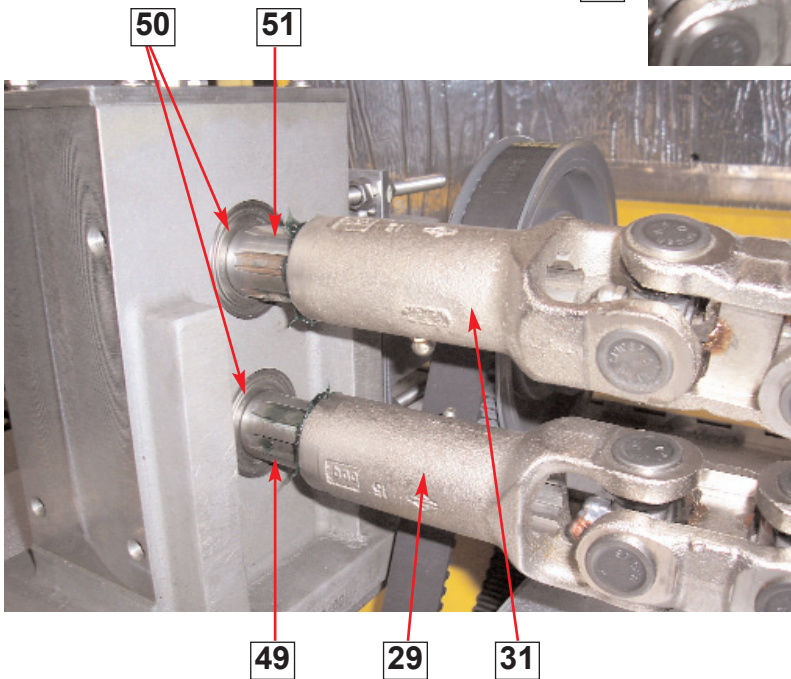
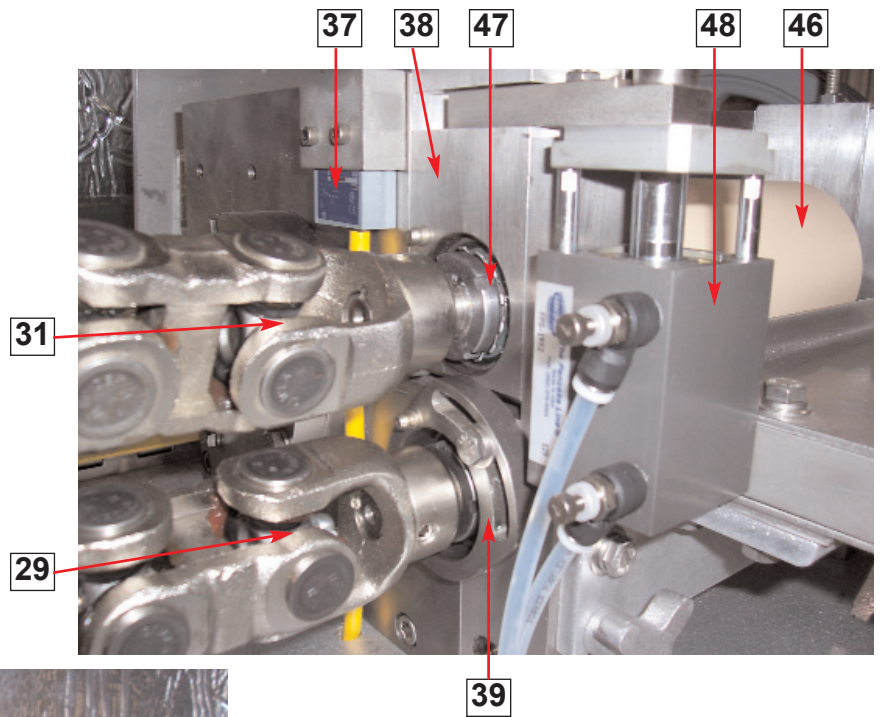
**Strand Pelletizers
T200 Series**

- 27. Driven Pulley
- 28. Idler Drive Pulley
- 29. LFR U-Joint
- 30. Rotor Pulley
- 31. UFR U-Joint
- 32. Feedroll Air Cylinders
- 33. Gearbox Assembly
- 34. Gearbox Drive Belt
- 35. Rotor Drive Belts
- 36. Pulley Bushing
- 37. Safety Switch
- 38. UFR Bearing Block
- 39. LFR Eccentric



**Strand Pelletizers
T200 Series**

- 27. Driven Pulley
- 28. Idler Driven Pulley
- 30. Rotor Pulley
- 35. Rotor Drive Belts
- 34. Gearbox Drive Belt
- 37. Safety Switch
- 38. UFR Bearing Block
- 39. LFR Eccentric
- 40. Rotor Eccentric
- 41. Bushing
- 42. LFR Bearing / Lock Nut
- 43. UFR Bearing / Lock Nut
- 44. Rotor
- 45. Cylinder Locking Bars
- 46. Upper Feedroll



**Strand Pelletizers
T200 Series**

- 29. LFR U-Joint
- 31. UFR U-Joint
- 37. Safety Switch
- 38. UFR Bearing Block
- 39. LFR Eccentric
- 46. Upper Feedroll
- 47. UFR Bearing / Lock Nut / Lock Washer
- 48. Air Cylinder
- 49. LFR Drive Shaft
- 50. Gearbox Shaft Bearings
- 51. UFR Drive Shaft