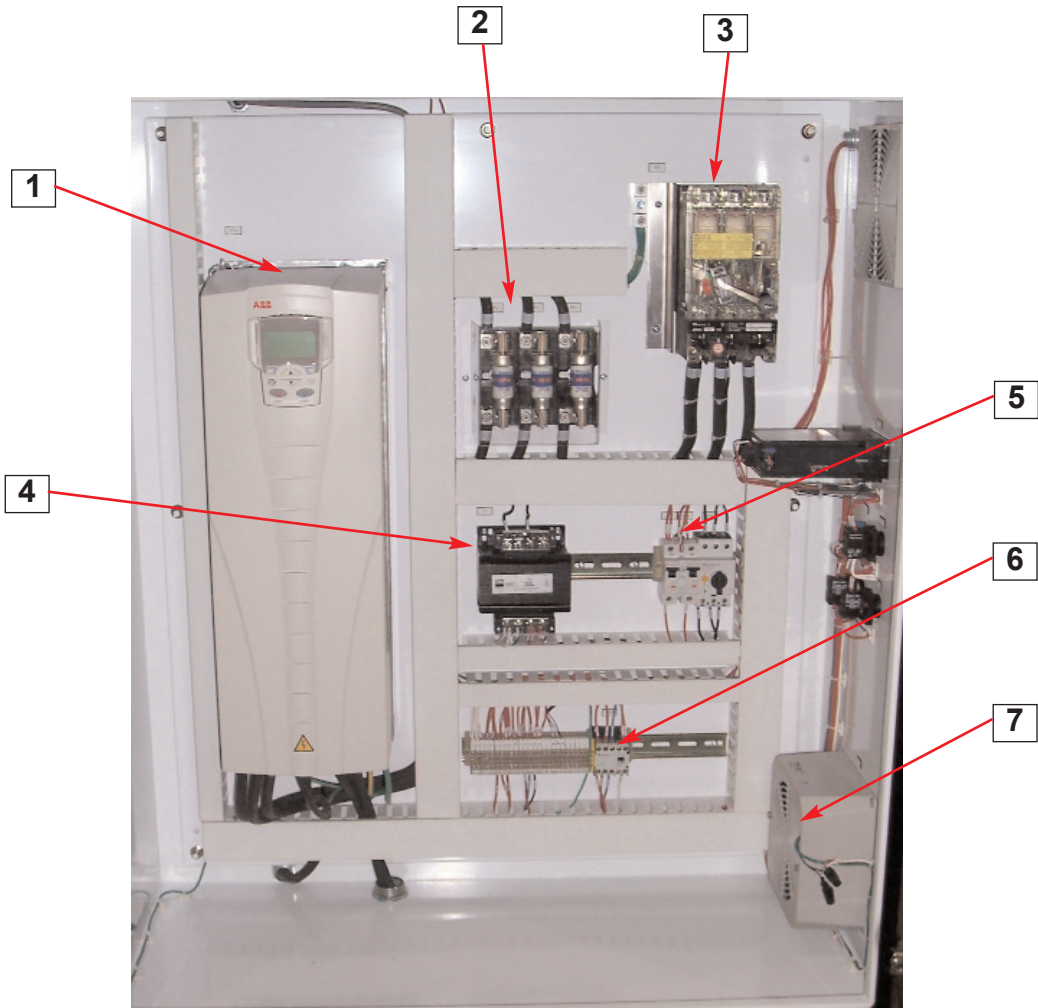


Parts Identification Guide
PIP002/0306

Strand Pelletizers

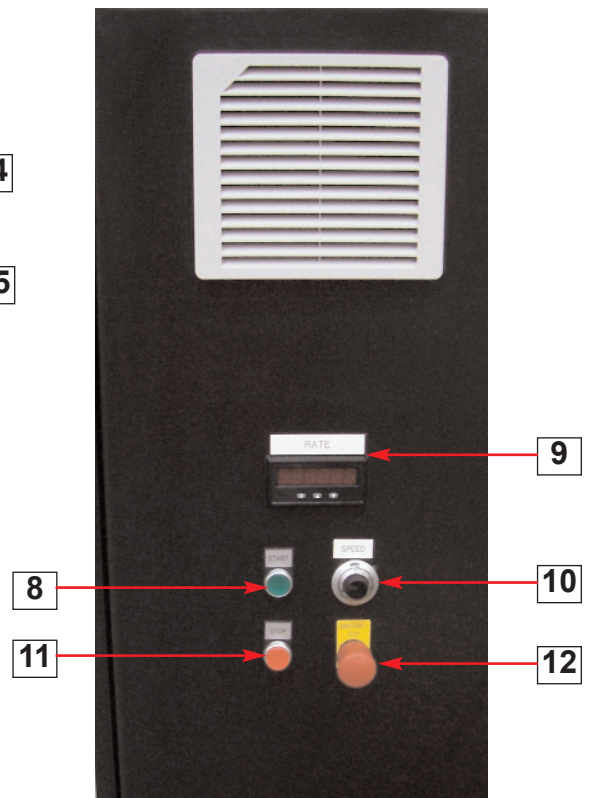
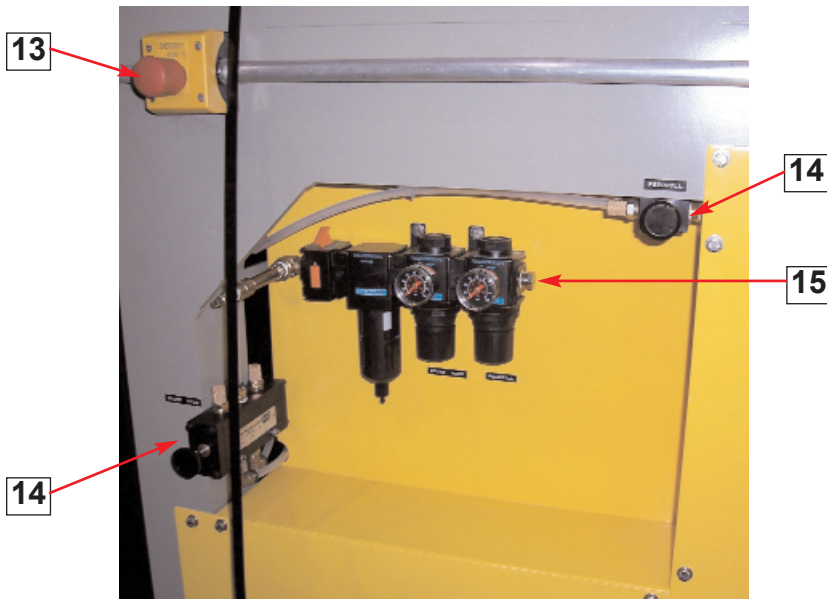
3000-3500 Series





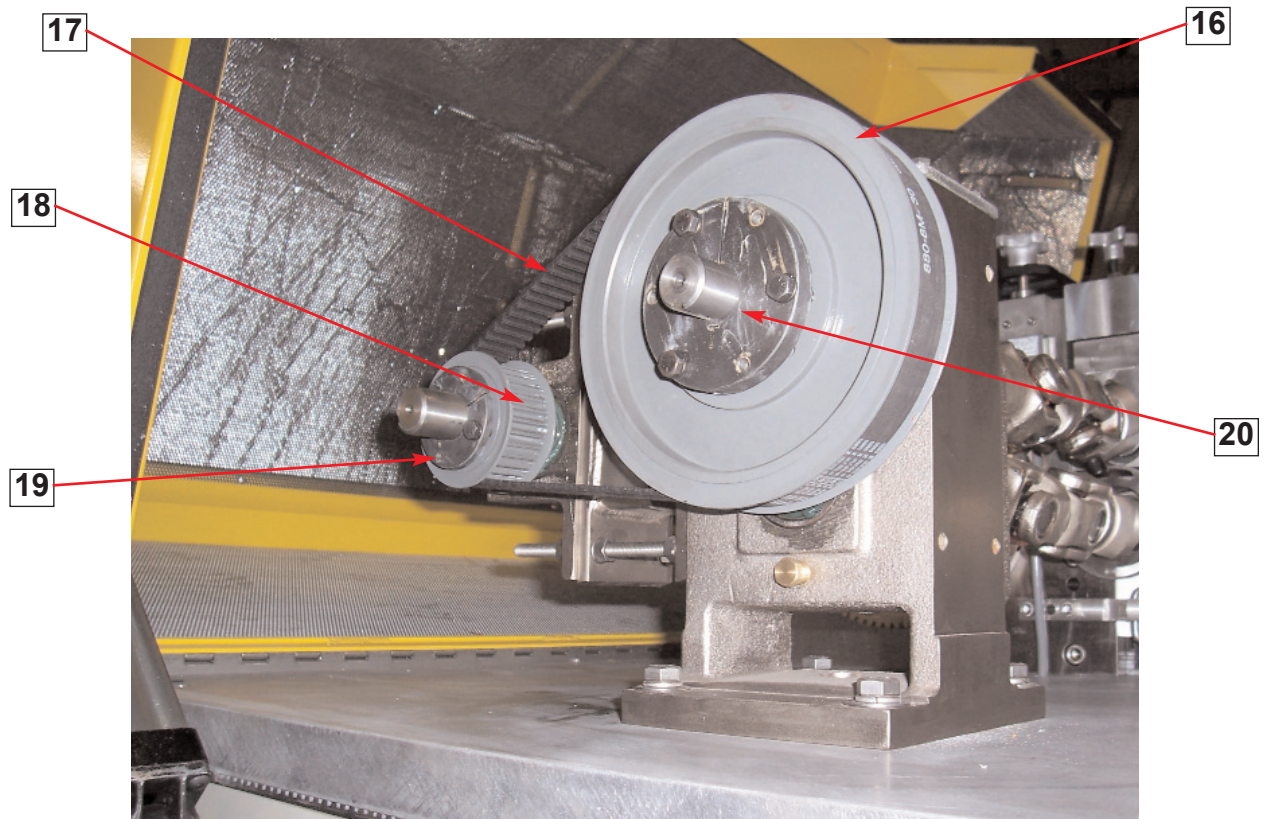
**Strand Pelletizer
3000-3500 Series**

- 1. Amplifier
- 2. Fuses
- 3. Disconnect
- 4. Transformer
- 5. Breakers
- 6. Relay
- 7. Fan



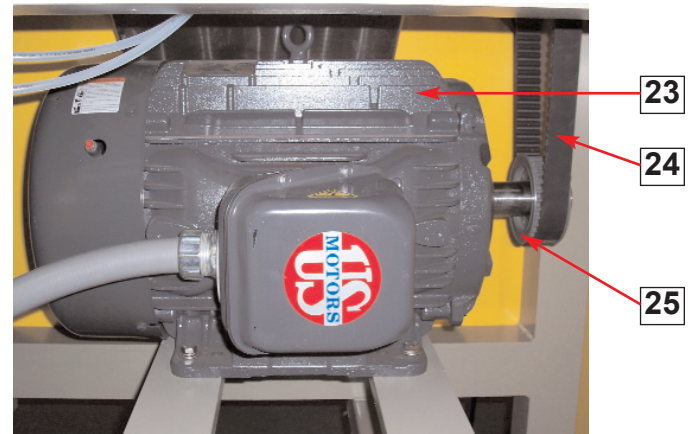
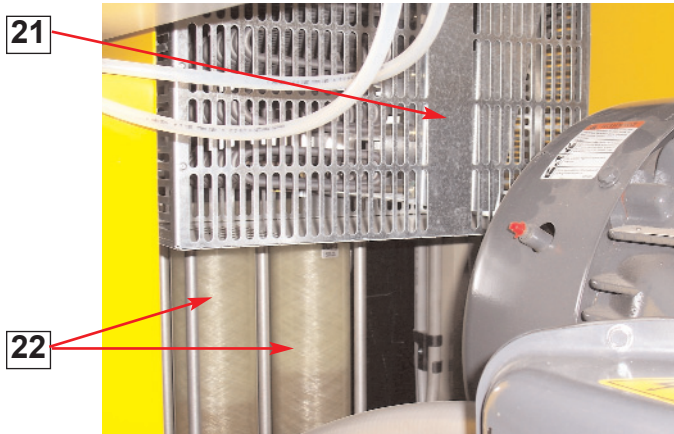
Strand Pelletizer 3000-3500 Series

- 8. Start Button
- 9. Digital Readout
- 10. Potentiometer
- 11. Stop Button
- 12. Emergency Stop Button
- 13. Emergency Stop Assembly
- 14. Push Pull Valve
- 15. Air / Filter Regulator



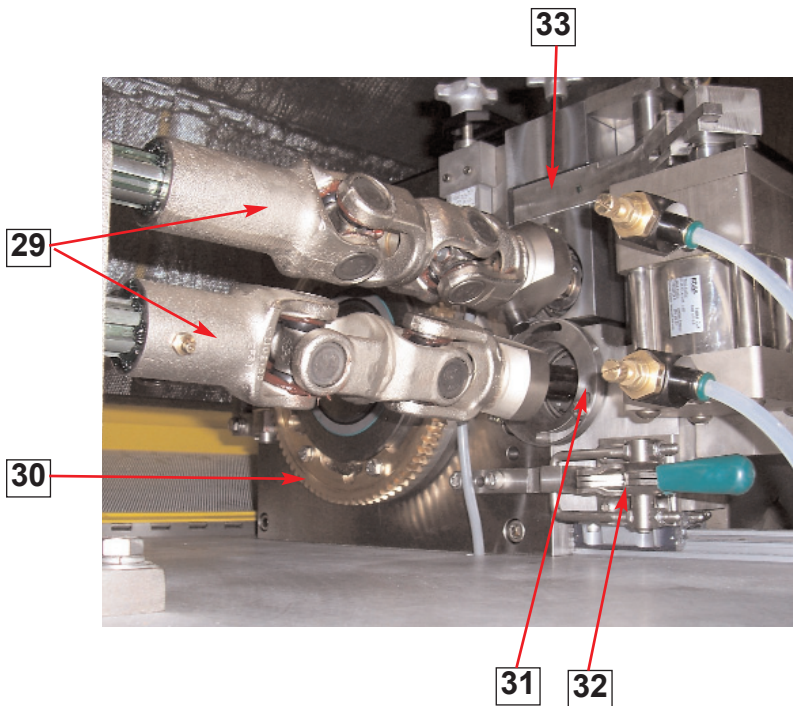
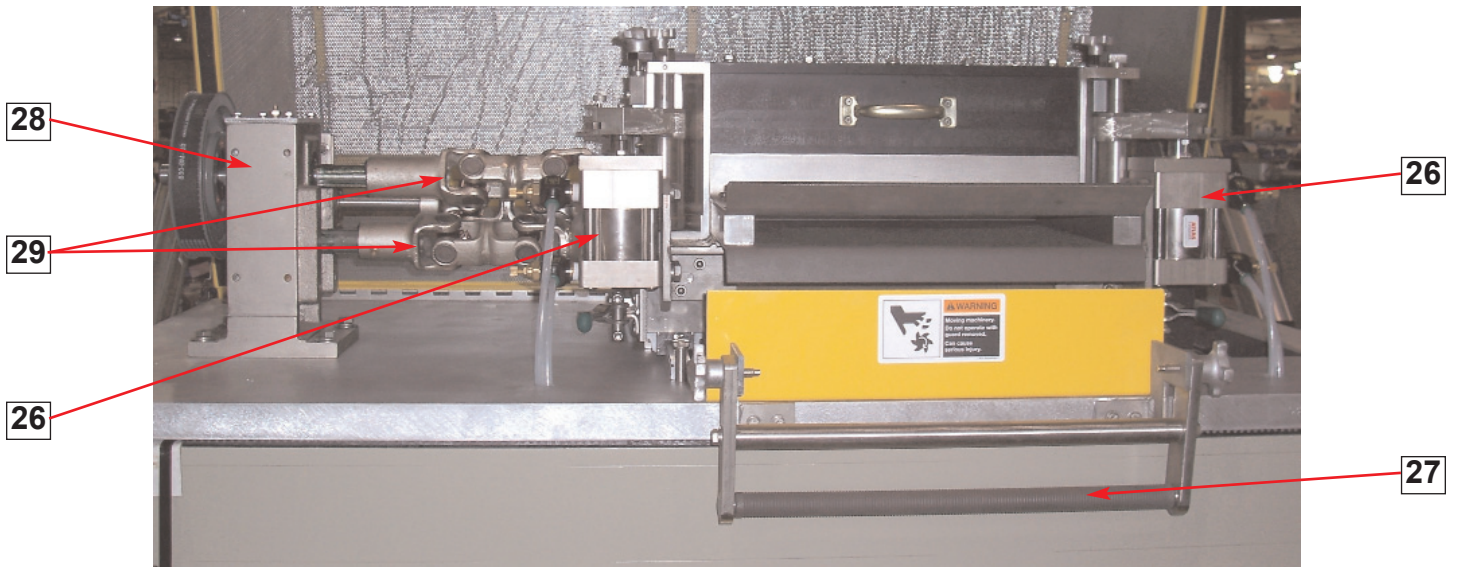
**Strand Pelletizer
3000-3500 Series**

- 16. Gear Box Driven Pulley
- 17. Timing Belt
- 18. Idler Pulley
- 19. Idler Puller Bushing
- 20. Driven Pulley Bushing



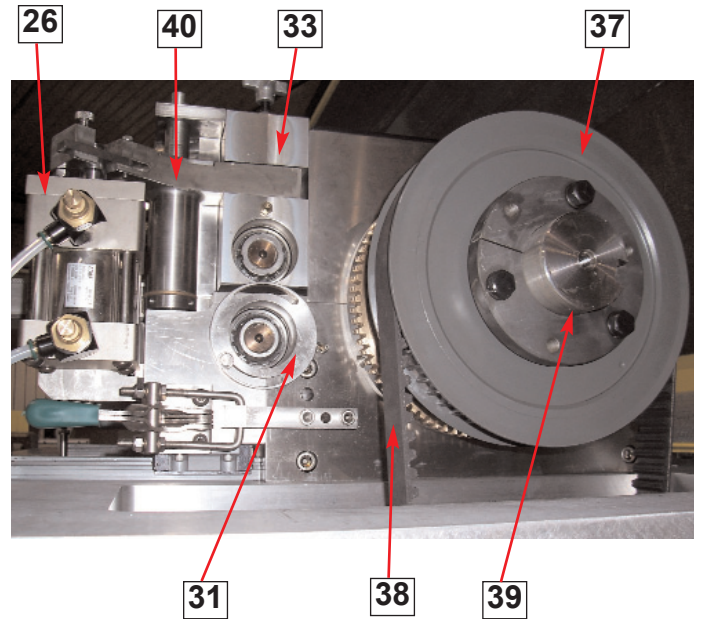
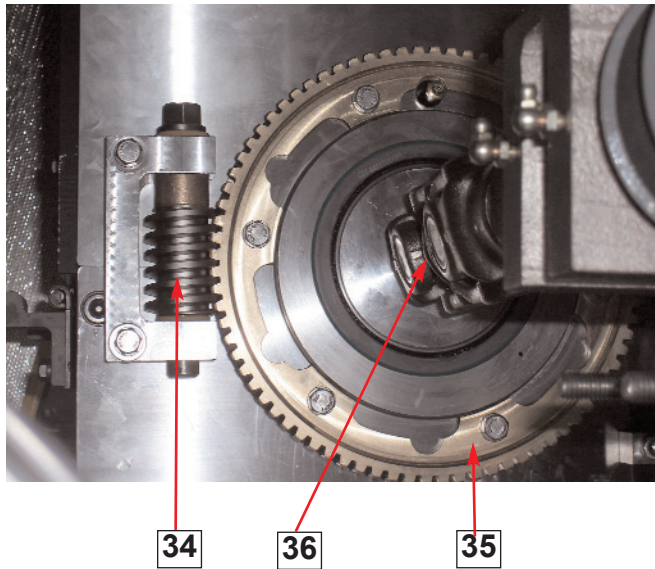
**Strand Pelletizer
3000-3500 Series**

- 21. Dynamic Brake
- 22. Oil Reservoirs
- 23. Motor
- 24. Rotor Drive Belt
- 25. Motor Pulley



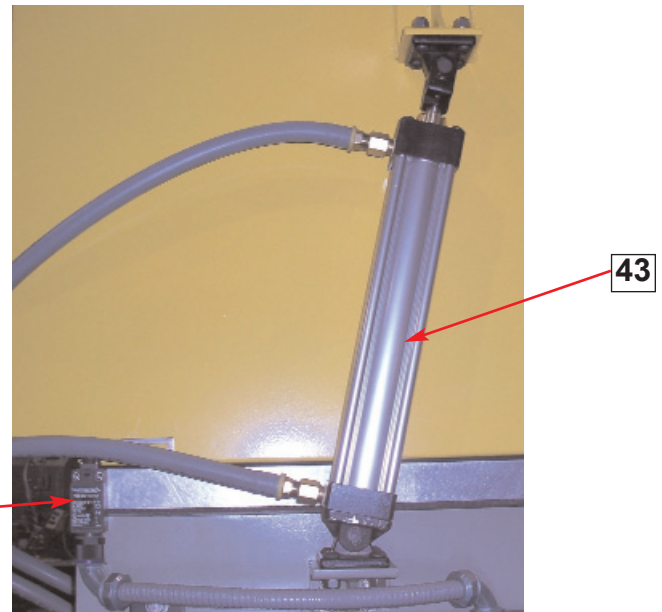
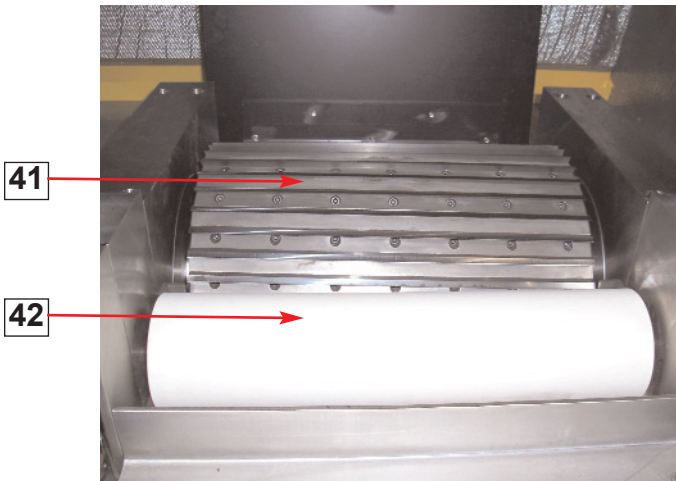
**Strand Pelletizer
3000-3500 Series**

- 26. Air Cylinder
- 27. Spreader Bar
- 28. Gear Box
- 29. U-Joints
- 30. Rotor Brass Gear
- 31. LFR Eccentric
- 32. Slide Locks
- 33. UFR bearing Block



**Strand Pelletizer
3000-3500 Series**

- 26. Air Cylinder
- 31. LFR Eccentric
- 33. UFR Bearing Block
- 34. Eccentric Adjusting Screw
- 35. Brass Gear
- 36. Rotor U-Joint
- 37. Rotor Pulley
- 38. Rotor Drive Belt
- 39. Rotor Pulley Bushing
- 40. Cylinder Locking Bar



**Strand Pelletizer
3000-3500 Series**

- 41. Rotor
- 42. Upper Feedroll
- 43. Hood Lifting Cylinder
- 44. Hood Safety Switch