

Medical Application Loading Up to 100 lbs/hr

The MedLine® ML Series Loaders are designed to be the perfect self-contained vacuum loader for medical applications. Designed to work seamlessly with Conair MicroWheel™ dryers, the ML Loader easily mounts to the lid of the MicroWheel (no drilling or fitting necessary) and keeps the MW hopper full.

Available in two convenient sizes, the ML Series has a throughput rate of up to 100 lbs/hr {45 kg/hr}, for loading varying drying hoppers.



Medical Loader ML1

Medical Loader ML2
shown with ELC-16 control

24% More Vacuum Power to Pull Longer, Higher

A Conair MedLine® ML1 or ML2 Loader's compact size and ease-of-use make it a perfect fit for a wide range of needs.

Quick disassembly features allow wide open access to the filter and loader body for fast material changes and filter maintenance.

The upgraded 3/8 Hp vacuum motor provides up to 100 lbs/hr {45 kg/hr} conveying at nearly 20 feet {6 m}. A blowback option extends filter life with an adjustable, independent filter cleaning cycle. Hose and feed tube are included so that your loader is ready to go to work, right out of the box.

A simple control package provides a user adjustable loading cycle to match your loading cycle to distance and material characteristics.

Add the ControlMate™ pendant for advanced loading features. Add on the optional ratio valve for virgin and regrind material loading capability (requires the ControlMate pendant).

▶ **All stainless construction**

The ML is constructed of 100% electropolished 304 stainless steel. The stainless steel and RAL 9003 paint maintain the clean bright look expected in a cleanroom.

▶ **Rates up to 100 pounds per hour {45 kg/hr} (virgin resin)**

Keep your drying hopper full with material conveyed from up to 20 feet {6.09 m} away. The vacuum created by the ML motor is 24% more powerful than the motors used in similar sized loaders, enabling the ML to pull longer and higher. The ML seals are designed to handle the increased vacuum, and perform for long periods.

▶ **Optional remote on/off**

Optional pendant on/off switch saves machine climbing or "plug-pulling" for easy on/off loader control.

▶ **Easy-access hinged motor**

No tools, single latch open for easy filter maintenance.

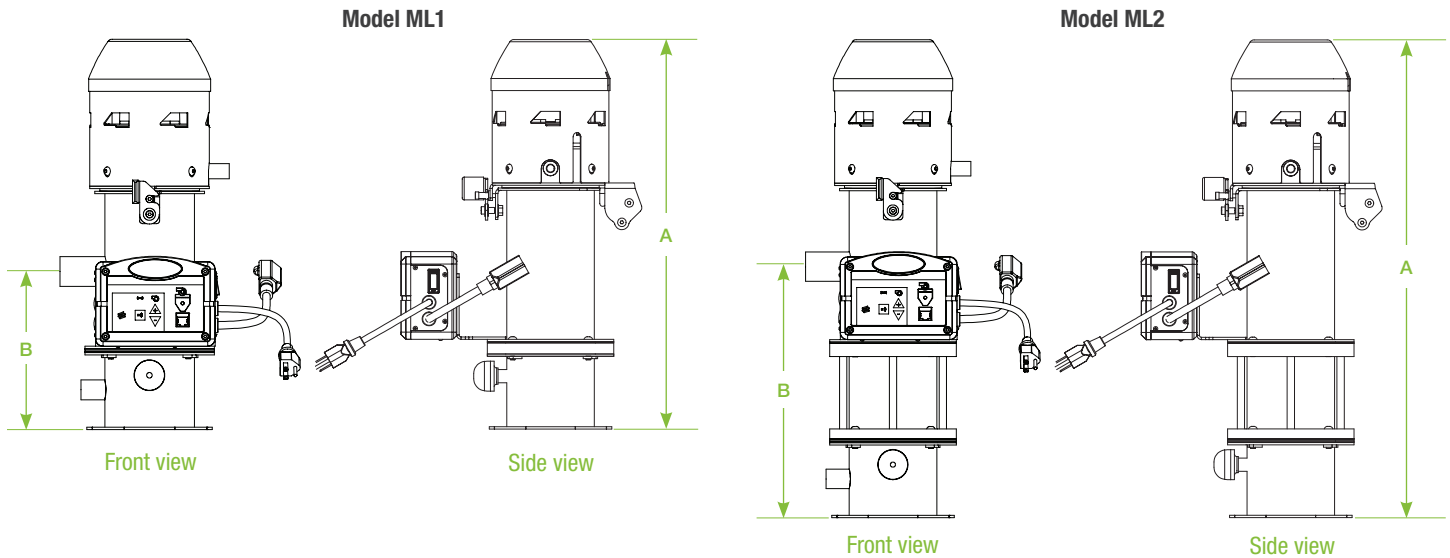


Adapter part numbers for mounting ML Loader on MicroWheel™ dryer.

MicroWheel	Adapter	MicroWheel	Adapter
MW1-0.2	No adapter necessary	MW2-1.0	102117124
MW1-0.5	102117123	MW2-1.75	102117124
MW1-1.0	102117124		



Specifications



Loader Model	ML1	ML2
Vacuum motor	3/8 Hp-2 brush	
Maximum injection mold machine size	400 tons	
Maximum extruder size inches {mm}	1.50 {38}	
Recommended throughput* lbs/hr {kg/hr}	75 {34}	100 {45}
Maximum conveying distance ft {m}	20.00 {6.1}	
Loader diameter inches {mm}	4.50 {114.3}	
Loader volume ft ³ {liters}	0.03 {0.85}	0.06 {1.70}
Material / vacuum line size inches {mm} OD	1.50 {38.1}, 1.75 {44.5}, 2.00 {50.8}	
Loader maximum temperature rating °F {°C}	180 {82}	
Available voltages, 50/60 Hz	120/220 VAC	
Amps @ 120 VAC	8	
Amps @ 220 VAC	4	
Compressed air requirements	90 maximum psi, 1.4 CFM, NPT fitting: 1/4 inch	
Filter area inch ² {cm ² }	24 {155}	
Filter type	Dacron Polyester Felt Disc	
Dimensions inches {mm} †		
A - Height above mounting plate	20.70 {525.8}	25.70 {652.8}
B - Height to center of material inlet	7.90 {200.7}	12.90 {327.7}
Mounting details	<i>See Fig. 1 and Fig. 2</i>	<i>See Fig. 1 and Fig. 2</i>
Approximate weight lb {kg}		
Installed	21.50 {9.75}	25.50 {11.56}
Shipping	44.50 {20.18}	48.50 {21.99}

Figure 1 - Mounting on MicroWheel™ dryers

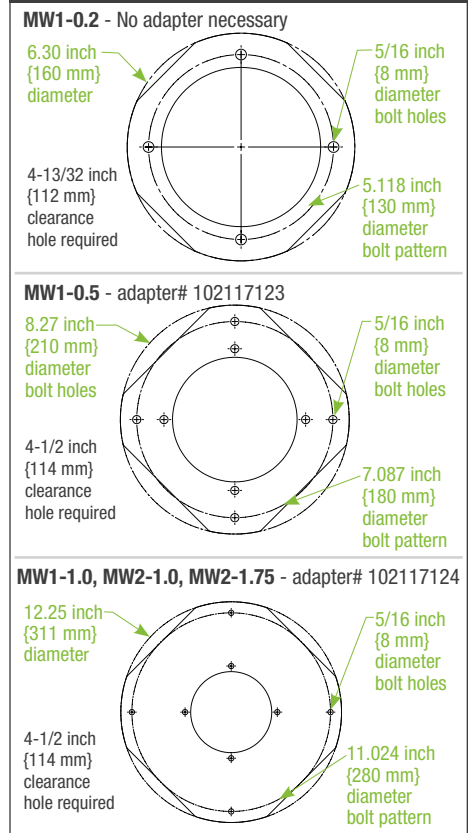
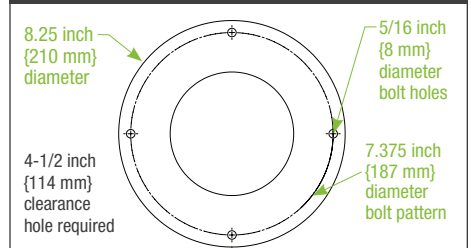
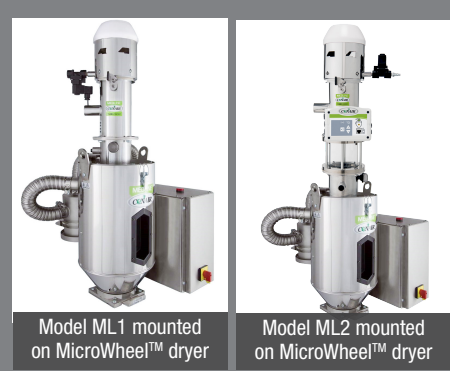


Figure 2 - Standard Mounting



Specification Notes

* Throughputs are based on conveying virgin material from close distances.
 Specifications may change without notice. Consult with a Conair representative for the most current information.



The ML, designed to be used with the MicroWheel dryer, allows for direct mounting to the lid of the dryer. No drilling, no fitting, no fuss. Simply remove the plate from the top of the dryer, and use those same screws to mount the loader. Adapter plate may be required for larger MW models.

The fill sensor through the body of the ML1, or located on the glass section of the ML2, keeps the drying hopper full.

