

# Portable Multiple Drying Hopper Solution

Conair's Multi-Hopper Cart (MHC) is perfect for easy preparation and movement of press-ready resin. The MHC features Conair's dependable CH Series mass-flow hoppers on a convenient push cart. The MHC lets material changes can take place quickly, cleanly, and safely away from the processing machine.

The MHC can be equipped with up to four hoppers (depending on hopper size). The cart is pre-plumbed and pre-wired (if necessary) with our without heaters at each station, and connects to a Conair dryer to provide superior drying and maximum productivity. For smaller applications, the cart can utilize heat directly from the dryer. A common solid welded manifold system directs the dehumidified air to each hopper, eliminating the possibility of air leaks and wasted energy.



**Multi-Hopper Cart**  
MHC small cart without heaters shown on left  
MHC large cart with heaters shown on right.

## Rugged Hopper Stands Incorporate Heat/Air Control

Conair's Multi-Hopper Cart was specifically designed to solve real-world productivity challenges. Energy and time saving features create an efficient central drying system. Starting with simplified shipping and installation, coupled with total mobility, the MHC continually improves your bottom line.

Integral supply and return manifolds carry dehumidified air from your central dryer. Individual hoppers are easily isolated for clean out by air valves that are opened and closed.

The MHC comes in two styles, two sizes, with multiple available hopper configurations to suit your needs. Available with or without individual hopper heaters, the MHC provides a mobile resin supply that's ready to process.

Robust insulated drying hoppers provide exceptional air distribution and material mass flow. Removable air spreader cone and large access door minimize clean out time. Use the hopper's extra-long sight glass with optional sensor bracket and sensor kits to easily adjust and indicate material level.

### ► **Quick-clean hoppers with superior mass flow**

Located within easy operator reach, each hopper includes large clean-out doors, a removable air-diffuser cone. Hopper design assures that all material is evenly exposed to dry air and heat. Funnel flow and material hang-up points are eliminated for superior drying.

### ► **100% insulated**

From the integrated insulated manifold, to the entire hopper from the base of the cone, to the door, to the full body wrap, the Multi-Hopper Cart is designed to preserve heat and save energy.

### ► **Single power drop per cart**

Each Multi-Hopper Cart requires only one power drop. No need for individual drops to each hopper. The cost savings here really add up quickly!







### ► **Hopper isolation - simple and convenient**

Air is turned on and off to each hopper station using individual shut-off valves. Simply shut off the supply and return air manifold from the hopper, and the hopper can be removed from the drying system for clean out, or to save energy when not in use. Isolate a hopper for clean out without shutting down the entire system. Safe. Simple. Foolproof.

Note: The MHC requires a D Series Carousel Plus dryer from Conair with the Premium control package for heater control at the hoppers.



# Features / Options

 <p><b>Optional RTD Probe(s)</b> Used to automatically reduce the drying temperature to a lower standby mode when the machine throughput is reduced or stopped.</p>	 <p><b>Hopper Isolation Valves</b> Allow taking a hopper "off-line" for material clean out or utilization of only part of the hopper cart system.</p>	 <p><b>Hopper Slide Gate Discharge</b> Prevents material leakage and facilitates hopper draining and clean out.</p>
 <p><b>Removable Air Diffuser</b> For simple hopper clean out, the air diffuser is removable, allowing complete access to the interior of each hopper.</p>	 <p><b>Optional individual hopper heaters</b> Individual hopper heaters allow for separate drying settings at each hopper.</p>	 <p><b>Solid Supply and Return Manifolds</b> No air leaks. No contamination or kinked hoses. Better drying.</p>

# Specifications

Models*	MHC EH 12-1 <sup>†</sup>	MHC EH 12-1.5 <sup>†</sup>	MHC EH 16-2.5 <sup>†</sup>	MHC EH 16-3.5 <sup>†</sup>	MHC EH 19-5 <sup>†</sup>	MHC EH 19-7 <sup>†</sup>
<b>Figure Number</b>	Figure 1					
<b>Performance characteristics</b>						
Volume ft <sup>3</sup> {liter}	1.0 {30}	1.8 {50}	2.6 {75}	3.5 {100}	5.3 {150}	7.1 {200}
Capacity @ 35 lb/ft <sup>3</sup> lb {kg}	35.0 {16}	63.0 {29}	91.0 {41}	122.5 {56}	185.5 {84}	248.5 {113}
Air inlet/outlet OD on cart inches {mm}	2.5 {64}					
Inside diameter OD inches {mm}	12.1 {307}		15.7 {356}		18.7 {475}	
Material inlet	IT06			IT07		
Material discharge ID inches {mm}	2.5 {64}			3 {76}		
Material discharge (bottom)	IB02		IB02/IB03			
<b>Voltages full load amps<sup>§</sup></b>						
Heater kW	4					
208 V/3 phase/60Hz	1 hopper=11.1, 2 hoppers=23.1, 3 hoppers=34.2, 4 hoppers=45.3					
240 V/3 phase/60Hz	1 hopper=10.1, 2 hoppers=21.0, 3 hoppers=31.1, 4 hoppers=41.2					
415 V/3 phase/50Hz	1 hopper=5.8, 2 hoppers=12.4, 3 hoppers=18.2, 4 hoppers=24.0					
460 V/3 phase/60Hz	1 hopper=5.0, 2 hoppers=10.6, 3 hoppers=15.6, 4 hoppers=20.6					
575 V/3 phase/60Hz	1 hopper=4.0, 2 hoppers=8.4, 3 hoppers=12.4, 4 hoppers=16.4					
<b>Standard cart dimensions inches {mm}</b>						
A - Overall height <sup>†</sup>	54.6 {1387}	65.2 {1656}	66.6 {1692}	75.7 {1923}	80.8 {2053}	91.7 {2329}
B - Clearance below hopper discharge	20.1 {511}					
C - Cart handle height	34.5 {876}					
D - Cart width	Refer to Figure 3					
E - Cart Depth	35.0 {889}					
<b>Approximate weight lb {kg}</b>						
Shipping weight	330 {150}	370 {168}	450 {204}	530 {240}	620 {281}	720 {327}

## Hopper Combinations (Figure 3)

MHC Large Cart possible configurations				Cart Total Length inches {mm}		Max. Total Capacity ft. <sup>3</sup>
				without heat	with heat	
Pos. 1	Pos. 2	Pos. 3	Pos. 4			
19	19	19	N/A	94.2 {2393}	101.3 {2573}	21
19	19	16	N/A	94.2 {2393}	101.3 {2573}	17.5
19	19	12	N/A	94.2 {2393}	101.3 {2573}	15.5
19	16	16	N/A	94.2 {2393}	101.3 {2573}	14
19	16	12	N/A	94.2 {2393}	101.3 {2573}	12
19	12	12	N/A	94.2 {2393}	101.3 {2573}	10
16	16	16	16	94.2 {2393}	101.3 {2573}	14
16	16	16	12	94.2 {2393}	101.3 {2573}	12
16	16	12	12	94.2 {2393}	101.3 {2573}	10
16	12	12	12	94.2 {2393}	101.3 {2573}	8
12	12	12	12	94.2 {2393}	101.3 {2573}	6

MHC Small Cart possible configurations			Cart Total Length inches {mm}		Max. Capacity ft. <sup>3</sup>
			without heat	with heat	
Pos. 1	Pos. 2	Pos. 3			
19	19	N/A	64.1 {1628}	72 {1829}	14
19	16	N/A	64.1 {1628}	72 {1829}	10.5
19	12	N/A	64.1 {1628}	72 {1829}	8.5
16	16	N/A	64.1 {1628}	72 {1829}	7
16	12	N/A	64.1 {1628}	72 {1829}	5
12	12	12	64.1 {1628}	72 {1829}	4.5

**Note:** Both the large and small carts offer multiple configuration options due to the flexibility of the design. (see Figure 3)

Use **Figure 3** above to identify the available hopper combinations that would be right for your operation, and determine the overall width of each multi-hopper cart. More specific dimensions for hoppers can be found in the specifications table.

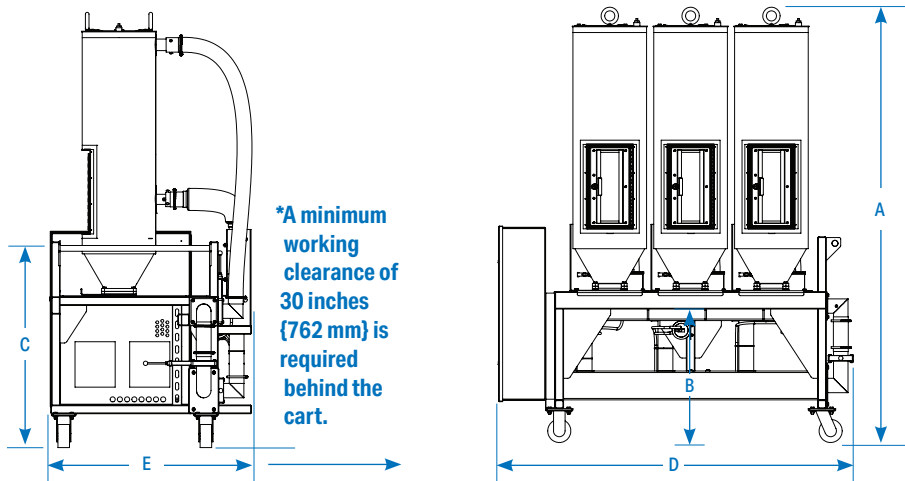
<p><b>Specification Notes</b></p> <p>* MHC Hopper size models. See Figure 1, 2, and 3 for more information about configuration options.</p> <p><sup>†</sup> For multi-hopper sled, be sure to use the largest hopper as the reference for the overall height. Note that vacuum receiver and loader height is not included and will need to be considered as additional height.</p>	<p><sup>‡</sup> Conair MHC hopper models listed are available as part of the MHC Small or MHC Large cart configurations. They are also available with or without individual hopper heaters.</p> <p><sup>§</sup> FLA ratings are for MHC models with heaters. FLA ratings for a Multi-Hopper Cart are shown for 1, 2, 3, and 4 hoppers.</p> <p>Specifications can change without notice. Contact a Conair representative for the most current information.</p>
--	---



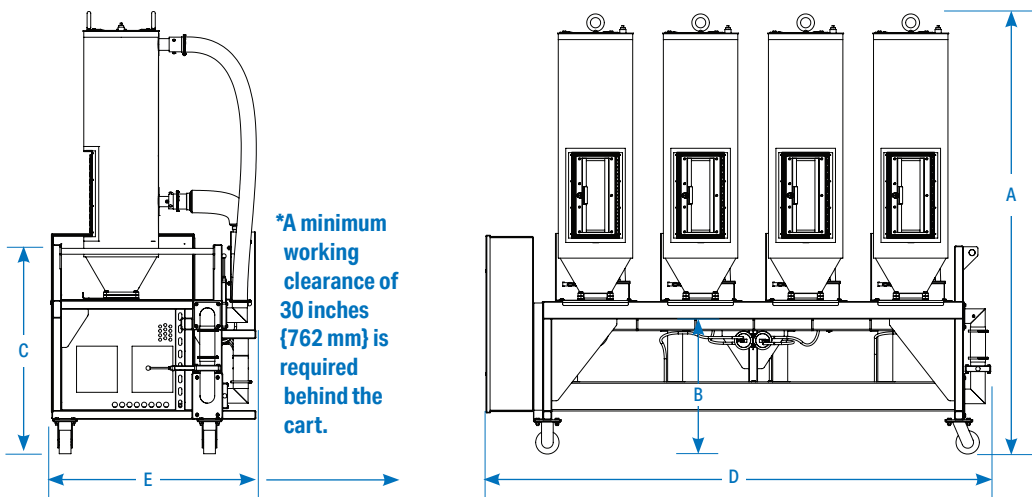
# Specifications

Depending upon hopper requirements, Multi-Hopper Cart systems may be configured with double-, tripple-, or quad-hoppers. Refer to Figure 3 for configuration options. Illustrations shown below include the hopper heater option.

## Small Multi-Hopper Cart (Figure 1)



## Large Multi-Hopper Cart (Figure 2)



Hoppers that are 33 inches {84 cm} in diameter and smaller may be joined together onto a single sled and shipped as a unit, installed as a unit and connected into your drying system as a single unit (see Figure 1). This consolidation greatly saves time and expense and once connected to the proper central drying unit, provides an optimum dehumidification system for all of your resins. Hoppers 39 inches {99 cm} and over in diameter are provided on their own individual floor stands (sleds) and each is equipped with air connections, heater, control, etc. (see Figure 2).

## Features

Mini Hopper Carts are designed to make you more competitive, efficient, productive and profitable.

- **Provides full flexibility** – any material to any machine at any time.
- **Fast two-minute material changes** – pre-dried, pre-blended material, totally mobile, always ready.
- **Clean, neat processing** – removes drying and blending equipment from the machine area.
- **Totally mobile** - push the cart where it is needed, when it is needed.
- **Conveying lines purged** after every cycle.
- **Minimizes labor**, energy, material and inventory costs.



Multi Hopper Carts can accommodate **up to four drying hoppers**, each sized specifically for either multi-machine, long run or single machine, short run operations. The sled is shipped with drying hoppers, optional heaters, dry air manifolds and hopper shutoff valves, pre-assembled for easy installation.



The Conair Multi Hopper cart has solid, welded air-distribution manifolds built into the frame. This design eliminates air loss, kinked hoses and loose hose clamps. An added benefit is insulation incorporated in the manifolds, further reducing heat loss and saving energy.



The MHC was designed for flexibility. In addition to its narrow width (fits through most doorways), casters and a push handle make this hopper cart totally mobile. The hopper mounting plates can be adjusted to several pre-configured positions, allowing the cart to fit multiple different sized hoppers. Each station has built-in isolation valves, and can include independent hopper heaters.



A long sight glass in the door of the hopper lets you see your material level at a glance.



Equip each hopper with a distribution box, and easily convey material to it's next destination.