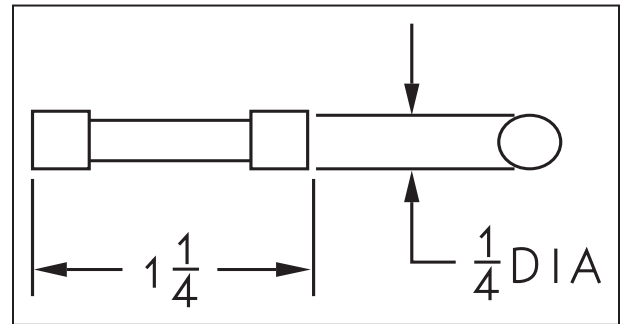


Fuses

Part Number	Amp
10814501	1
10814502	2
10814503	3
10814505	5
10814507	7
10814508	8
10814510	10
10814512	12
10814515	15
10814534	1/2

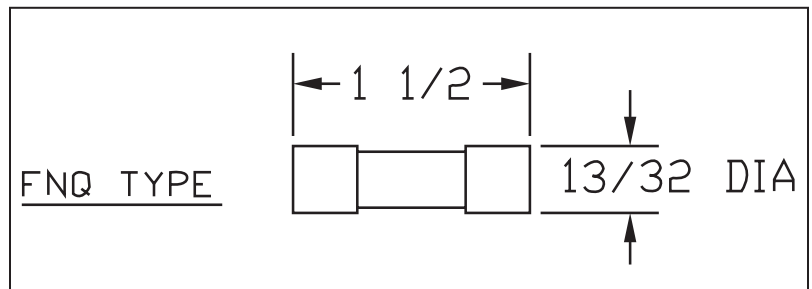


Note: All fuses are 250V or less.
Length 1-1/4" x 1/4" diameter.

Fuses

Type FNQ

Part Number	Amp
20604005	1/10
20604006	1/8
20604007	1/2
20604008	6/10
20604009	8/10
20604010	1
20604012	1-1/2
20604013	1-6/10
20604014	2
20604016	2-1/2
20604017	3
20604018	3-2/10
20604020	4
20604021	4-1/2
20604022	5
20604024	6
20604025	6-1/4
20604027	8
20604028	9
20604030	12
20604031	15
20604032	20
20604033	25

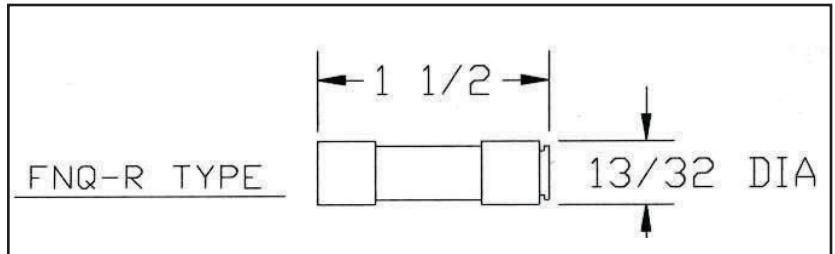


Note: All fuses are 500V or less.
Length 1-1/2" x 13/32" diameter.

Fuses

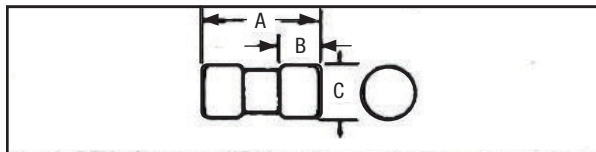
Type FNQ-R

Part Number	Amp
20604037	4/10
20604038	1/2
20604039	6/10
20604041	8/10
20604042	1
20604043	1-1/8
20604044	1-1/4
20604047	1-1/2
20604048	1-6/10
20604049	1-8/10
20604050	2
20604052	2-1/2
20604053	2-8/10
20604054	3

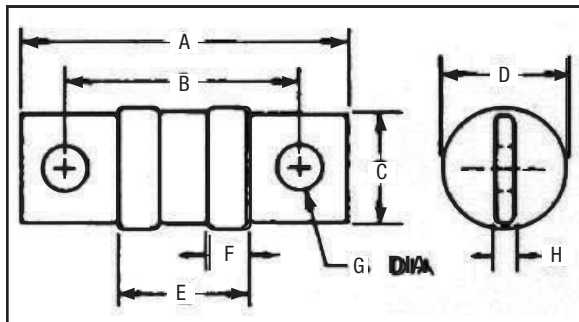


Part Number	Amp
20604056	3-1/2
20604057	4
20604059	6
20604062	8

Note: All fuses are 600V or less.
Length 1-1/2" x 13/32" diameter.



Symbol	Ampere Rating	Dimensions in inches		
		A	B	C
JJJN 250 volts or less	0-30	7/8	19/64	13/32
	31-60	7/8	19/64	9/16



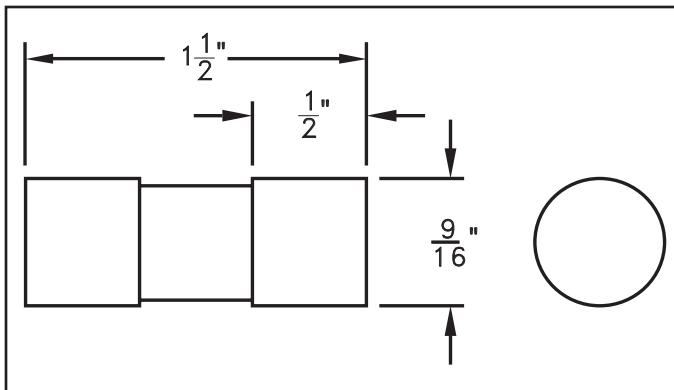
Fuses

Type JJJN

Part Number	Amp
20604504	10
20604505	15
20604506	20
20604507	25
20604508	30
20604509	35
20604510	40
20604511	45
20604512	50
20604513	60
20604514	70
20604515	80
20604517	100

Symbol	Ampere Rating	Dimensions in inches							
		AA	BB	CC	DD	EE	FF	GG	HH
JJJN 250 volts or less	61-100	2 5/32	1 9/16	3/4	7/8	2 7/32	9/32	9/32	1/8
	101-200	2 1/16	1 11/16	7/8	1 1/16	2 7/32	9/32	11/32	3/16
	201-400	2 3/4	1 25/32	1	1 15/32	55/64	9/32	15/32	1/4
	401-600	3 1/16	2 1/32	1 1/4	1 29/64	7/8	19/64	31/64	5/16

Note: All fuses are 250V or less.
Amp rating 0-30 are 7/8" length x 13/32" diameter.
Amp rating 31-60 are 7/8" length x 9/16" diameter.
Amp rating 61-100 are 2-5/32" length x 3/4" diameter.



Note: All fuses are 600V or less. Length 1-1/2" x 9/16" diameter.

Fuses

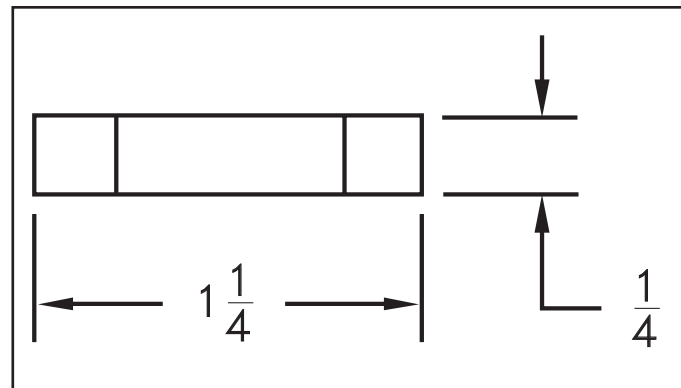
Type JJS

Part Number	Amp
20604602	3
20604603	6
20604604	10
20604605	15
20604606	20
20604607	25
20604608	30
20604609	35
20604610	40
20604611	45
20604612	50
20604613	60
20604614	70
20604615	80
20604631	2

Fuses

Type MDA

Part Number	Amp
20606601	1
20606602	2
20606603	3
20606604	5
20606609	1-1/4
20606611	1-6/10
20606612	2-1/2
20606614	4
20606617	8
20606618	15
20606619	3/10
20606622	6/10
20606625	6
20606626	10
20606628	20
20606630	0.15



Note: All fuses are 250V or less. Length 1-1/4" x 1/4" diameter.

Part Number	Amp
20609114	1/2
20609119	1
20609120	1-1/2
20609122	3



Note: All fuses are 125V or less. Length 1/4" x 1/2" diameter.

Fuses

Type LP-CC

Part Number	Amp
20610501	1/2
20610502	6/10
20610503	8/10
20610504	1
20610505	1-1/8
20610506	1-1/4
20610507	1-4/10
20610508	1-6/10
20610509	1-8/10
20610510	2-1/4
20610511	2-1/2
20610512	2-8/10
20610513	3
20610514	3-2/10
20610515	3-1/2
20610516	4

Part Number	Amp
20610517	4-1/2
20610518	5
20610519	5-6/10
20610520	6
20610521	6-1/4
20610522	7
20610523	7-1/2
20610524	8
20610525	9
20610526	10
20610527	12
20610528	15
20610529	20
20610530	25
20610531	30
20610532	2

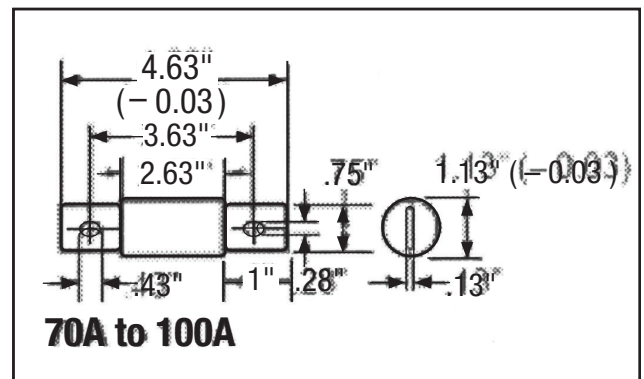
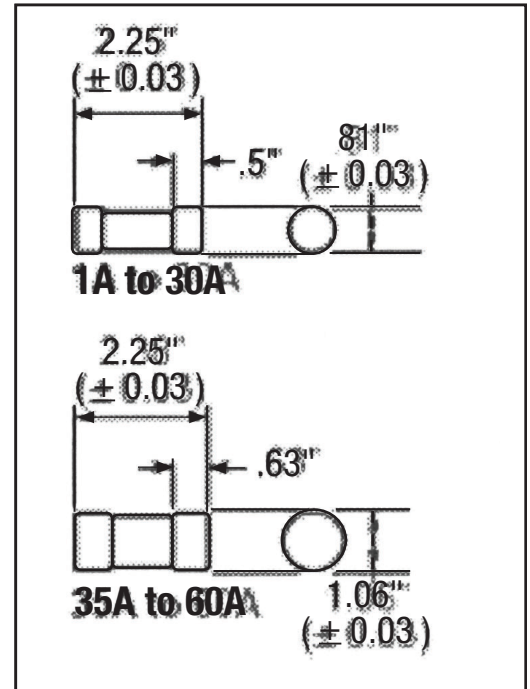
Note: All fuses are 600V.

Length 1-1/2" x 3/8" diameter.

Fuses

Class J Dual

Part Number	Amp
20610901	1
20610903	1-6/10
20610905	2
20610907	2-1/2
20610909	3
20610911	3-1/2
20610912	4
20610914	5
20610916	6
20610917	7
20610918	8
20610920	10
20610921	12
20610922	15
20610923	17-1/2
206109247	20
20610925	25
20610926	30
20610927	35
20610928	40
20610929	45
20610930	50
20610931	60
20610932	70
20610933	80
20610934	90
20610935	100



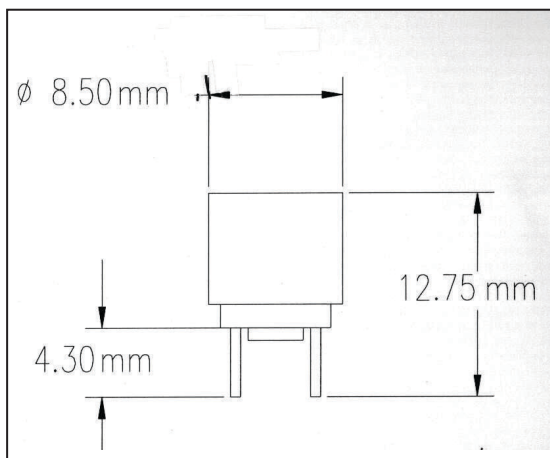
Note: 1-60 Amp - 600V or less / 300VDC or less.
 1-30 Amp - length 2-1/4" x 1/2" diameter.
 35-60 Amp - length 2-3/8" x 5/8" diameter.
 70-100 Amp - length 4-5/8" x 3/4" diameter.

Fuses

Fusetron

Part Number	Amp	Volt	Type
20600108	10	600	Ferrule
20600109	15	600	Ferrule
20600110	20	600	Ferrule
20600111	30	600	Ferrule
20600112	40	600	Ferrule
20600115	6-1/4	600	Ferrule
20600116	12	600	Ferrule
20600117	25	600	Ferrule
20600118	70	600	Blade
20600119	100	600	Blade
20600120	80	600	Blade
20600121	35	600	Blade
20600124	7	600	Ferrule
20600125	45	250	Ferrule
20600126	70	250	Blade
20600141	7	600	Ferrule
20600155	4	600	Ferrule
20600161	150	600	Blade
20600164	3-2/10	360	Ferrule
20600168	25	250	Ferrule
20600190	125	600	Blade
20600191	45	600	Ferrule

Note: Add -01 suffix to above part numbers to specify Class R fuses. Length 5" x 13/16" diameter.



Fuses

Axial Lead and Cartridge Fuse

Part Number	Amp
20610901	1
20610903	1-6/10
20610905	2

Note: All fuses are 250V.

Length 5/16" x 11/16" diameter.