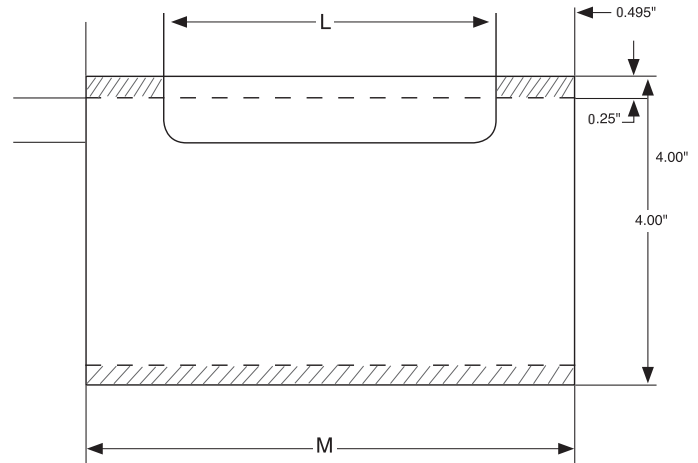


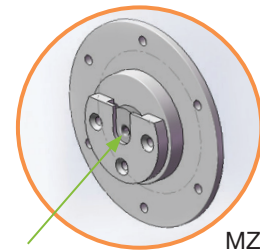
2" Pre-Skinner Chamber

| Part Number | Description | L | M |
|--------------|----------------------------------|------|--------|
| 0411-30096-1 | 4" Diameter x 0.25" Wall Acrylic | 5.5" | 6.490" |
| 0411-30096-2 | 4" Diameter x 0.25" Wall Acrylic | 3.5" | 4.490" |
| 0411-30160 | 4" Diameter x 0.25" Wall Acrylic | 1.5" | 2.490" |



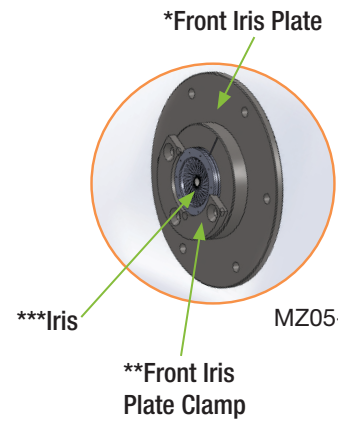
Pre-Skinners

| Part Number | Description |
|-----------------|--|
| MZ05-100-1000 | Pre-Skinner Assembly 304 SS. with 3 Bulkhead Seal Plates & Glass Filled Insert Set (5) (Blank) |
| MZ05-100-1000-1 | Pre-Skinner Assembly 304 SS. with 4 Bulkhead Seal Plates & Glass Filled Insert Set (6) (Blank) |
| MZ05-100-1002 | Special Pre-Skinner Insert (5pc) (Blank) |
| MZ05-100-1002-1 | Special Pre-Skinner Insert (6pc) (Blank) |
| *MZ05-100-1011 | Front Iris Plate |
| **MZ05-100-1012 | Front Iris Plate Clamp, 53 mm |
| ***53-912 | Iris 53 mm |
| MZ05-100-1040 | MT104 1/8" Thick Entrance Plate - Available in Stainless Steel or Brass (Blank) (5.5" Diameter B.C.) |
| MZ05-100-1041 | MT105 1/8" Thick Entrance Plate - Available in Stainless Steel or Brass (Blank) (6.5" Diameter B.C.) |
| MZ05-100-1100 | Bulk Head Seal Plate / Clamp / 53 mm Iris Assembly |
| MZ05-100-1101 | Preskinning Assembly with Quick Change Insert Design and 1 Set of Inserts Bored to Size (Blank) |
| MZ05-100-1102 | Bulhead Insert Assembly Plastic HT104 with Insert |
| MZ05-100-1300 | Bulk Head Seal Plate / Ref 24562I010p02 |
| MZ05-100-1301 | Bulk Head Seal Plate Ring/ Ref 24562I010p03 |



Quick Change Insert

MZ05-100-1102



***Iris

**Front Iris Plate Clamp

MZ05-100-1100

Note: *MZ05-100-1011, MZ05-100-1012 and 53-912 all three required for an assembly.