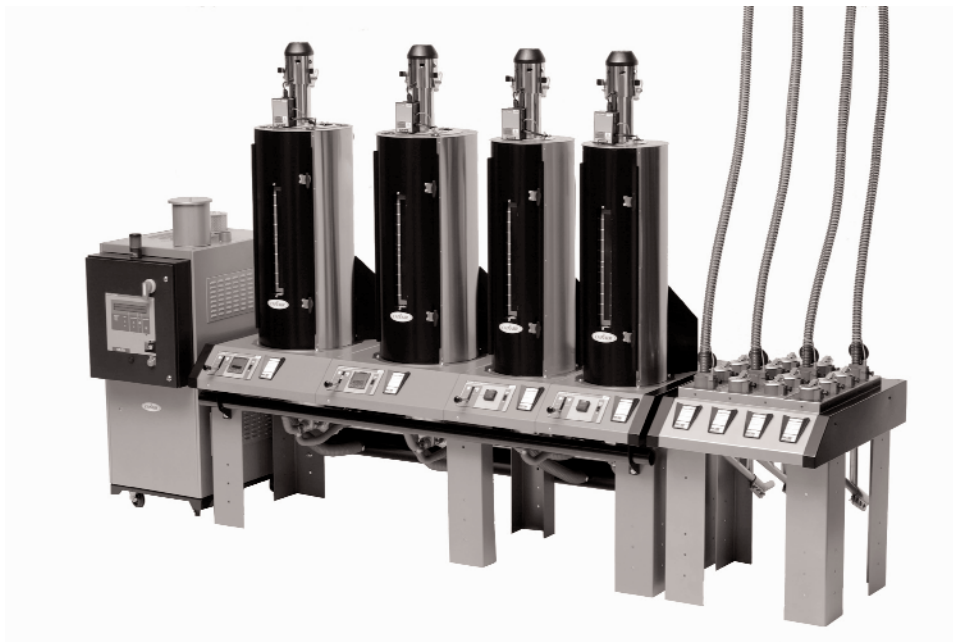
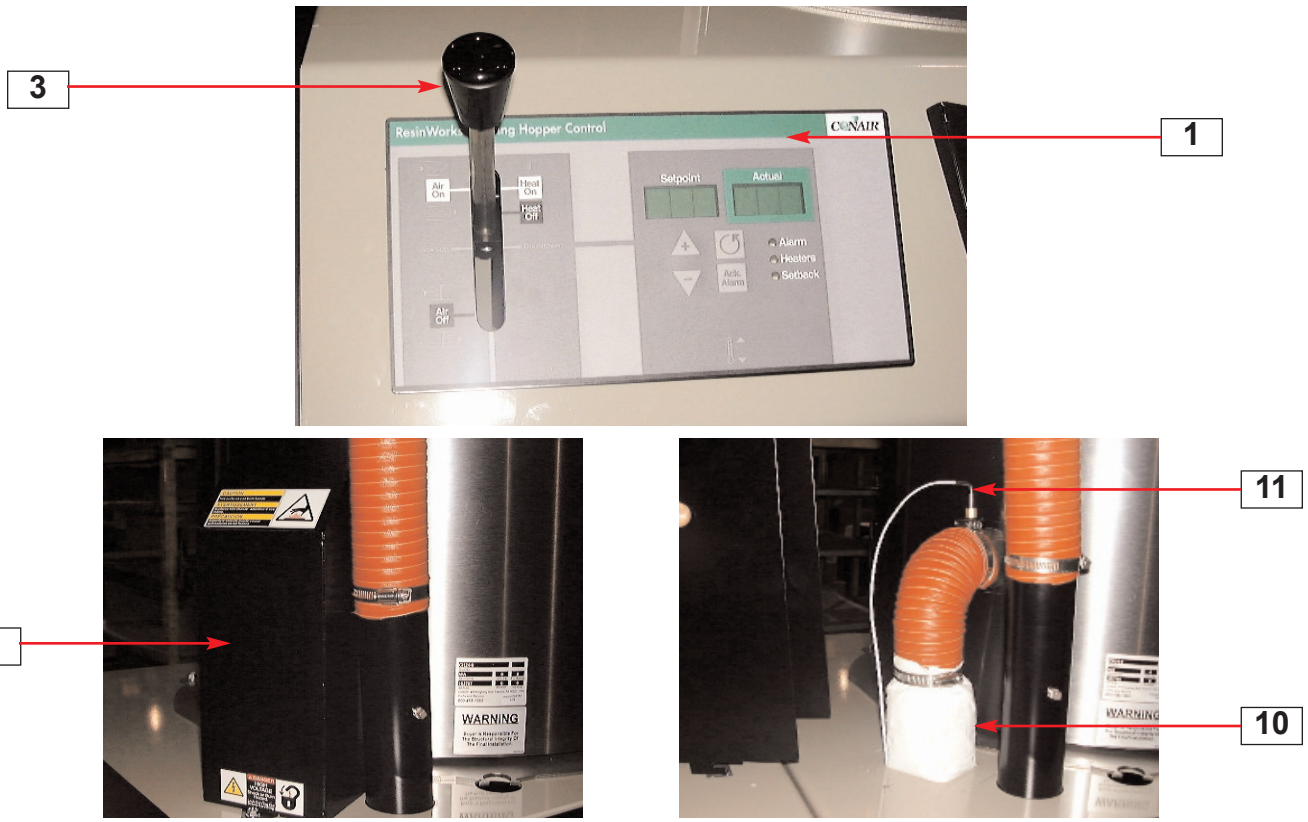


Parts Identification Guide  
PID012/0405

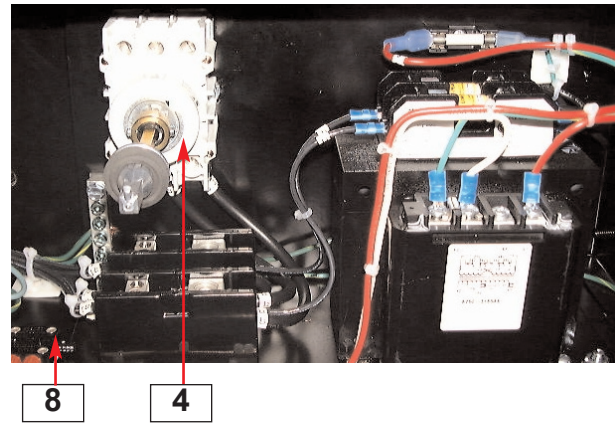
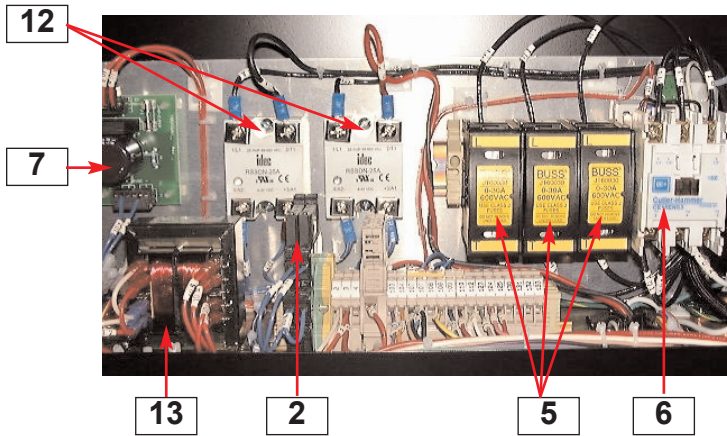
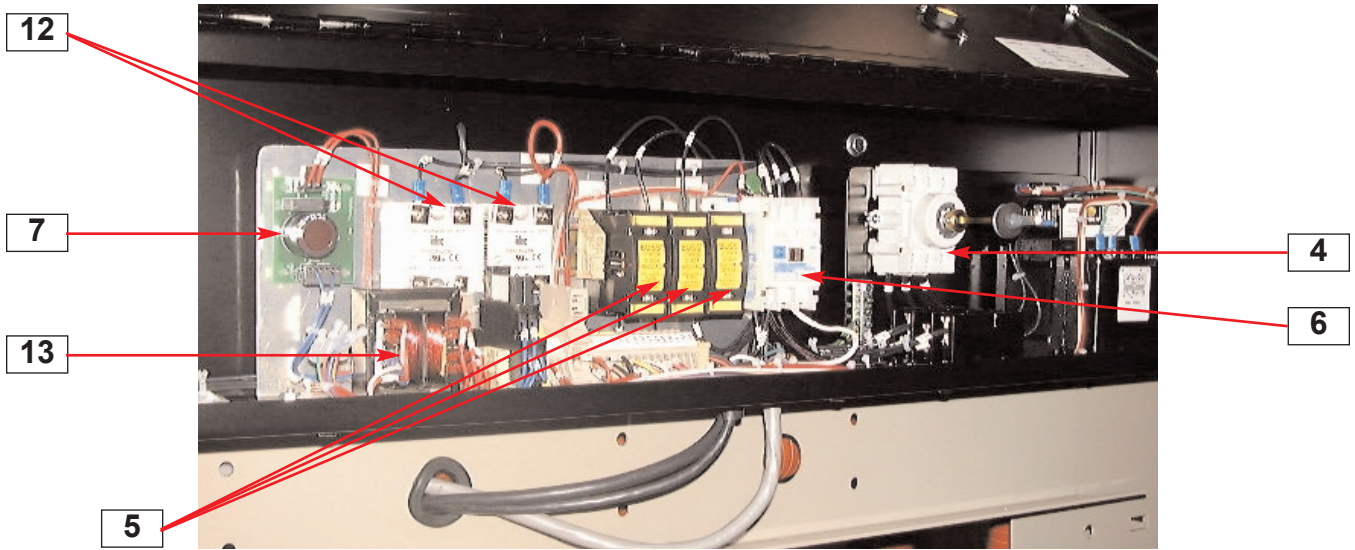
# ResinWorks





### ResinWorks

1. Control Panel
3. Disconnect Handle
9. Process Heater - Under Guard
10. Process Heater Tube
11. Process RTD



**ResinWorks**

- 2. Control Relays
- 4. Disconnect Switch
- 5. Fuses
- 6. Isolation Contactor
- 7. Power Supply
- 8. Pressure Switch
- 12. Solid State Relays
- 13. Transformer - 24 Volt