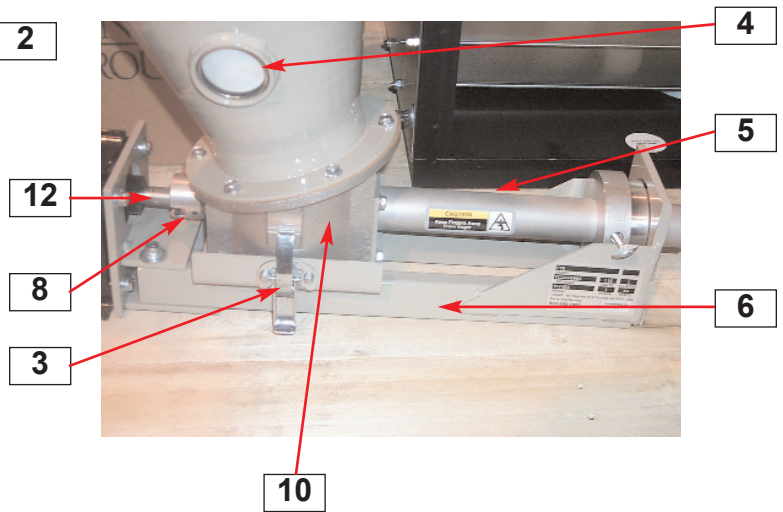
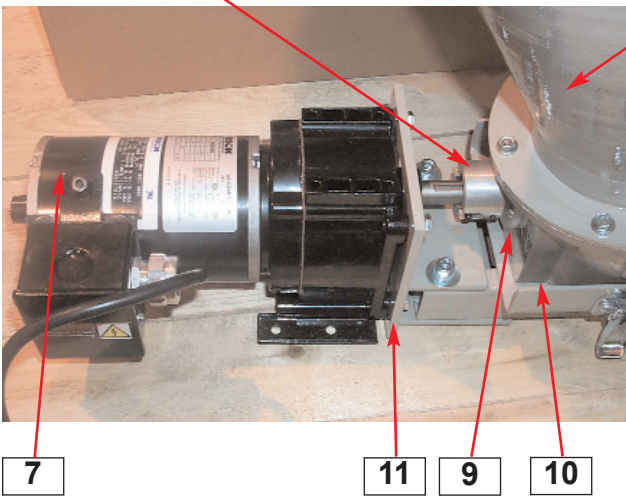
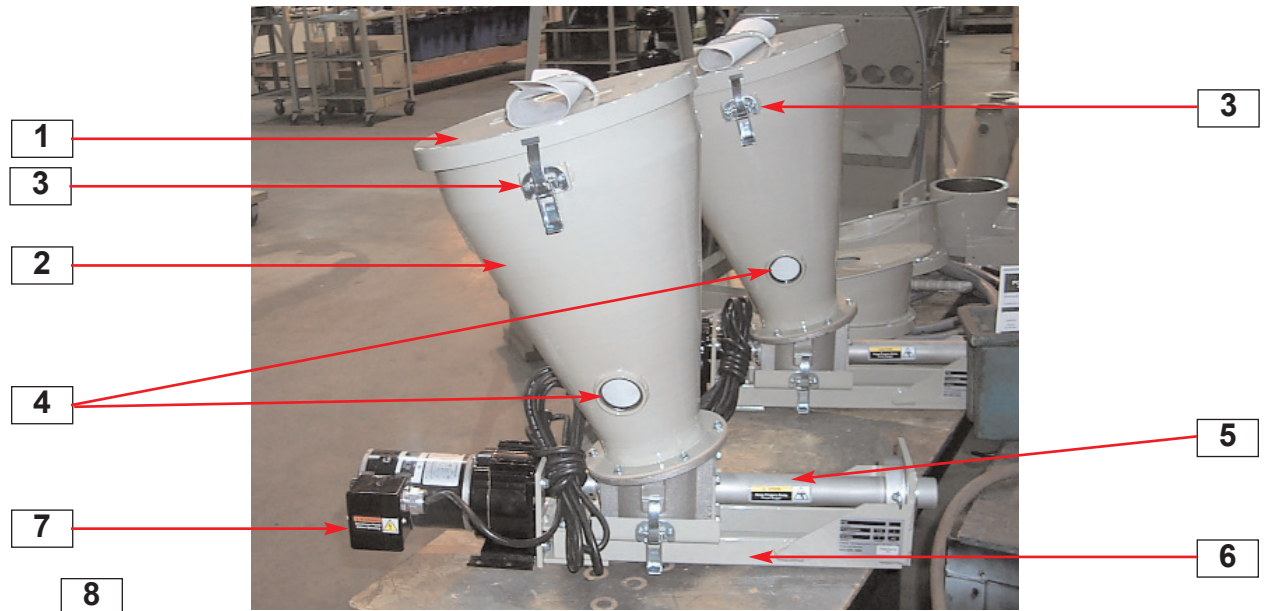


Parts Identification Guide
PIB004/0205

F06 Feeder



F06

1. Lid
2. Hopper Canister
3. Clamp(s)
4. Sight Glass
5. Auger Housing Assembly
6. Canister Mount
7. Gear Motor with Cord
8. Motor Coupling
9. Bushing
10. Canister Base
11. Motor Mount
12. Motor Shaft