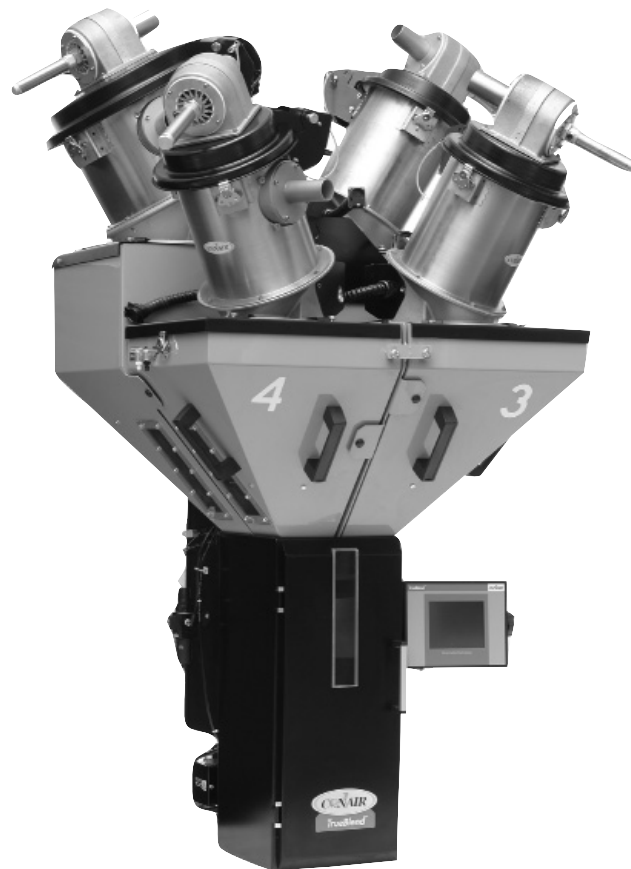
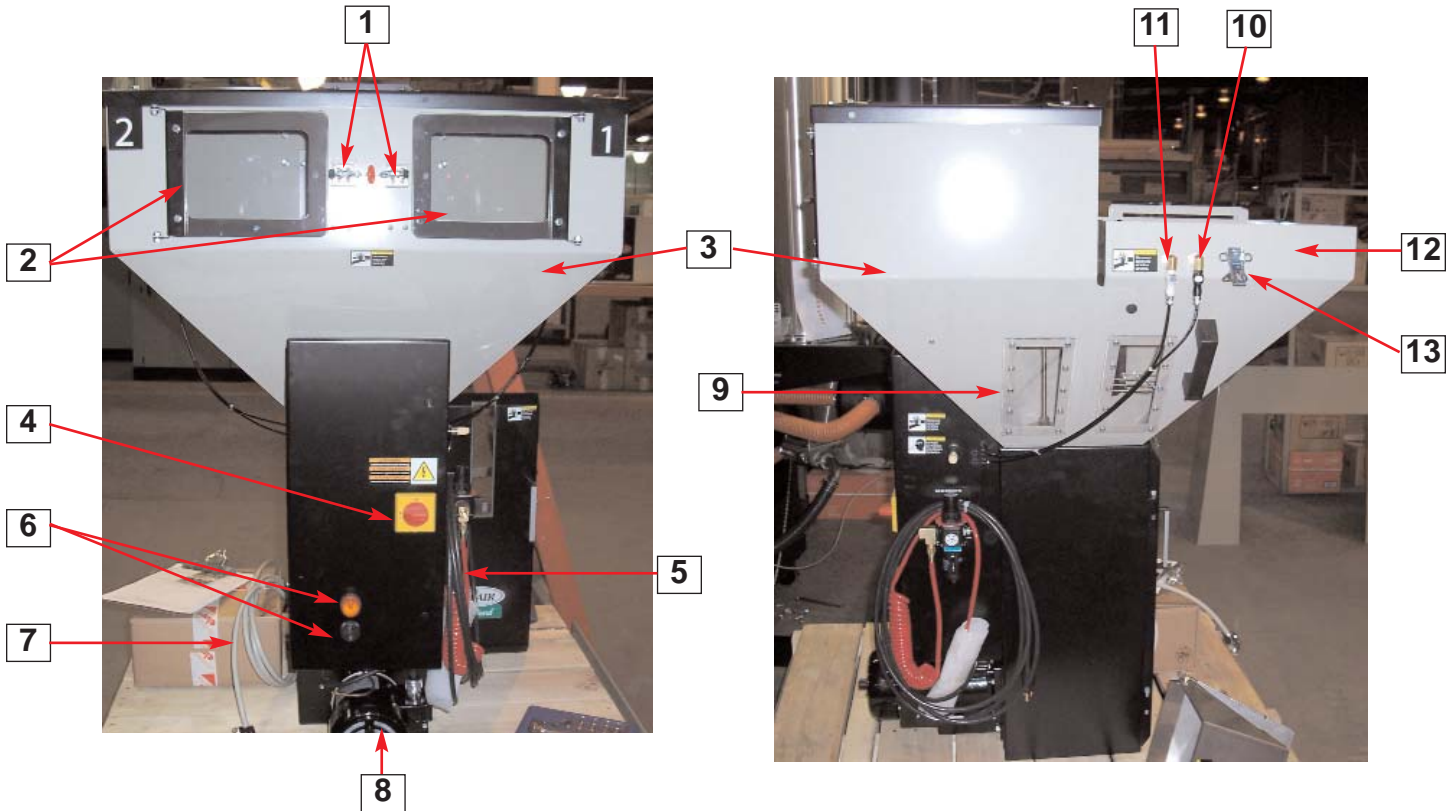


Parts Identification Guide
PIB010/0406

TrueBlend™

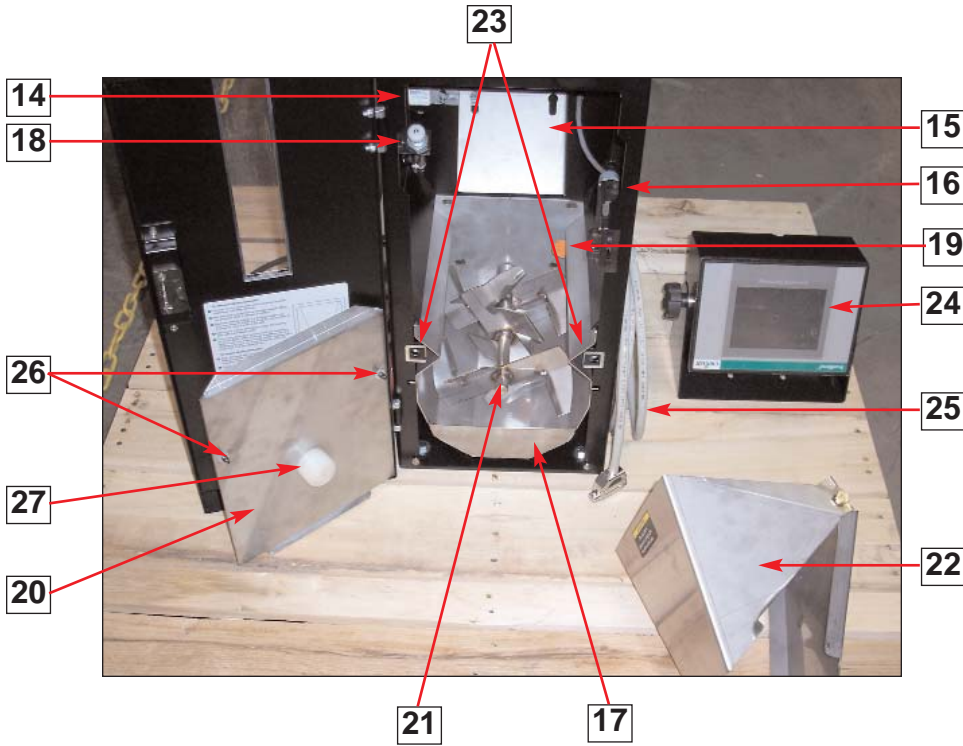
Model TB100





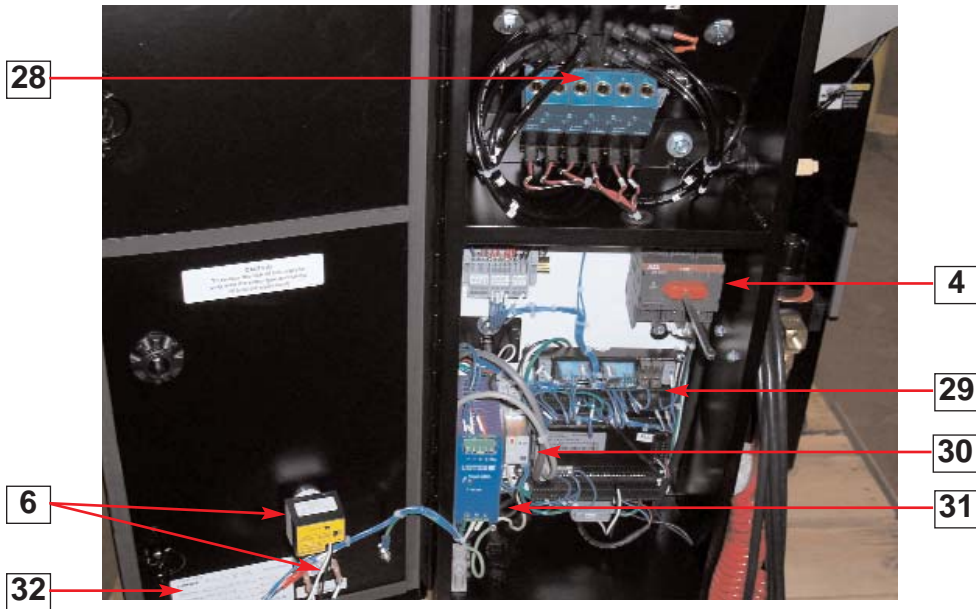
**TrueBlend
Model TB100**

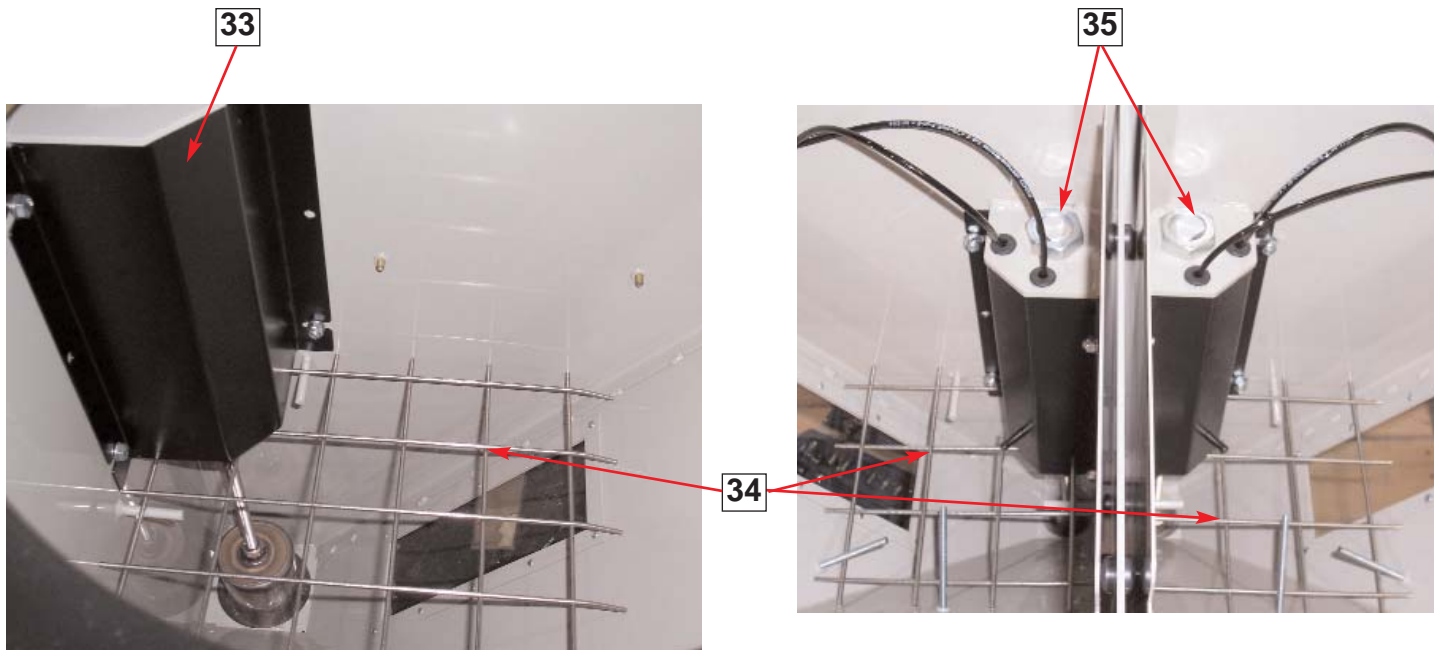
1. Toggle Clamps
2. 9 x 7 Bin Door
3. Main Bin
4. Disconnect Switch
5. Air Filter / Regulator & Hose
6. Alarm Light & Horn
7. Control Display & Cable
8. Mixer Motor
9. Sight Glass
10. Black Quick Disconnect
11. White Quick Disconnect
12. Color / Additive Bins
13. Locking Clamp



**TrueBlend
Model TB100**

- 4. Disconnect Switch
- 6. Alarm Light & Horn
- 14. Load Cell
- 15. Weigh Bin Holder
- 16. Safety Switch
- 17. Mixing Insert
- 18. Weigh Bin Cylinder
- 19. Sensor
- 20. Front Cover for Mix Chamber
- 21. Mixing Agitator
- 22. Weigh Bin
- 23. Clip-on Retainers (2 req.)
- 24. Operator Control
- 25. Control Cable
- 26. Door Fastener (2 req.)
- 27. Agitator Support Bearing
- 28. Solenoid Valves
- 29. PLC
- 30. Motor Relay
- 31. Power Supply
- 32. Control Wiring Number





**TrueBlend
Model TB100**

- 33. Main Bin Dosing Assembly
- 34. Finger Guards
- 35. Dosing Assemblies for Color & Additive Bins