

# High Torque Cutting with Speed and Accuracy

Conair (CSC) Servo Cutter Series precisely cuts corrugated, flexible, rigid tubing or custom profiles to precise lengths on-demand or automatically. Choose from two models to match your high-speed cutting needs: pick the CSC-L (light duty) for maximum cuts per minute on flexible tubing, or the heavy-duty model CSC with increased cutting torque for tough materials and heavy wall extrusions.

The eye-level, front-mounted operator interface allows easy setup and monitoring, and links seamlessly with your extrusion line.



Model CSC2

## Eliminate Part Length Variations

CSC Servo Cutters provide enhanced precision cutting for your application. Cut on-demand at anytime or easily program the CSC for automatic multi-length cuts based on extrusion speed.

The optional follower mode lets you input cut length and number of blades. The rotary encoder then automatically compensates for puller speed fluctuations to maintain very accurate cut lengths.

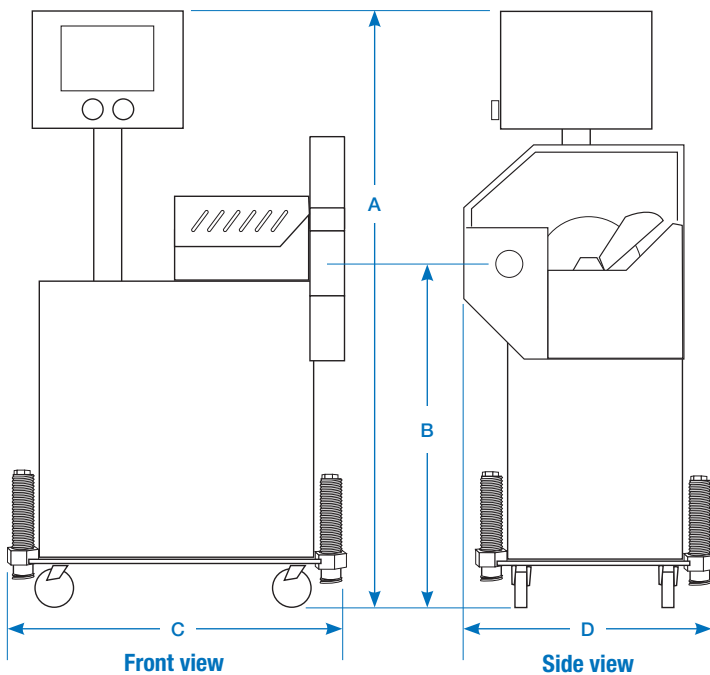
Offset stabilizing bushing allow centering parts on a take away conveyor making downstream functions easier to set up.

This cutter incorporates category 2 safety circuit for redundant safety control, offering operators the highest level of safety possible.

- **Cut capacity up to 4-3/4 inches**  
Cut parts up to 4-3/4 inches {121 mm} in diameter while essentially eliminating part size variations.
- **All new operator control**  
The CSC features a user-friendly 7-inch {178 mm} touchscreen with high visibility graphics and common sense commands for controlling the cutter. A large pop-up “soft” keypad makes recipe entry fast and easy.
- **Adjustable center line**  
The CSC Servo Cutter meets domestic or international requirements for centerline height as material travels into the cutter.
- **Enhanced cutting**  
CSC models include precision 4:1 inline planetary gear reducer for enhanced cutting torque. (maximum RPM=750)
- **High-speed**  
CSC-2L uses no reduction, which allows flywheel operation up to 2800 RPM.



# Specifications



The CSC Cutter features a full-color touchscreen control with intuitive graphic icons for easy operation! Switch cutting modes, adjust blade speed, customize operation, save recipes, and create unique user privileges all from a touchscreen control that allows for easy communication to other devices. All Conair controls are designed with the same style icon/button operation, making learning a new piece of equipment easy and comfortable.

Models	CSC2L	CSC3L	CSC2	CSC3	CSC4	CSC5
<b>Performance characteristics</b>						
Extrudate capacity inches {mm} diameter	1.25 {318}	2.25 {572}	1.75 {445}	2.75 {699}	3.75 {953}	4.75 {1207}
Blade drive motor Hp {kW}	3.25 {2.4}			4.4 {3.2}		
High torque motor*	N/A	N/A	3.8 {2.8}	3.8 {2.8}	STD	STD
Feed direction	right to left					
<b>Dimensions inches {mm}</b>						
A - Height	63 {1600}					
B - Height to centerline (± 2)	42 {1067}					
C - Width	36 {914}					
D - Depth	24 {614}					
<b>Weight lb {kg}</b>						
Installed	600 {272}					
Shipping	700 {317}					
<b>Voltage Full load amps †</b>						
460V/3 phase/60 Hz	Consult Conair					
<b>Cutter head</b>						
Aluminum 2-position	Yes	Yes	Yes	Yes	NA	NA
Stainless steel 2-position*	NA	NA	Yes	Yes	STD	STD
Cutter Control	Touchscreen					
<b>Specification Notes</b>						
* Optional.						
These tables define standard configurations only.						
† FLA data for reference purposes only. Does not include any options or accessories on equipment. For full FLA detail for power circuit design of specific machines and systems, refer to the electrical diagrams the equipment order and the nameplate applied to the machine.						
Specifications may change without notice. Consult with a Conair representative for the most current information.						

## Options

- Stainless steel cutter head
- Cutting torque horse power upgrade (Std. on CSC4 & CSC5)
- Follower cutting mode
- Timer mode
- Variable blade speed for on-demand and flywheel cut modes
- Slide base system
- Batch counter
- Electric eye and bracket for use with end sense mode
- Blade wipe system
- Bushing lubrication system
- Left-to-right operation
- Custom paint
- Blade heater with Athena temperature control
- CE certification
- UL certification

