

Weather-Tight Factory Built Bulk Storage

Conair's welded silos are shipped factory constructed and ready to install in one day and use immediately. Because there are no bolts, seams or gaskets, material hang up points are eliminated.

The inside of the welded steel silo is epoxy coated to keep your material contamination free. The outside is primed and enamel coated to prevent rusting. Welded aluminum silos require no external painting or internal epoxy coating.

The welded silos are guaranteed to be water-tight.



Broad Range of Storage Capacities Available

Conair offers welded silos in a variety of storage capacities ranging from 838 to 9,826 cubic feet.

Two cone configurations are available. Cone configuration is determined by the type of material to be stored. Silos formed for pellet storage usually have a 45° cone bottom. For powder and hard-to-flow materials the silo is fitted with a 60° cone.

The Conair sales team is ready to help you select the size, style and features that will best suit your storage needs.

Welded silos are delivered to your plant via a dedicated delivery truck. A crane is used to erect the silo.

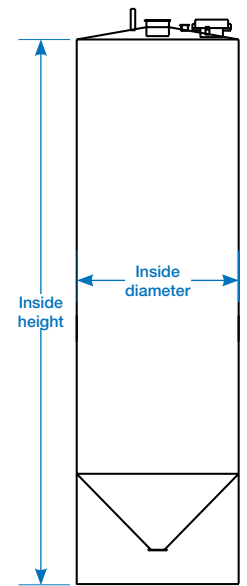
Conair installation crews can set the silo on the customer poured pad, connect all accessories and install the unloading and conveying system to get the plant up and running.

- ▶ **No bolts, seams or gaskets**
Smooth welded finish on the interior of the silo eliminates material hang-up points.
- ▶ **Quality internal liner**
Welded steel silos have a non-corrosive, epoxy coating to protect material from oxidation. Welded aluminum silos require no internal epoxy coating.
- ▶ **Customized to fit your needs**
Options include a safety cage and rest platform for silos over 30 feet, a ladder and a slide gate shut-off which is pre-drilled to accept an optional Conair distribution box.
- ▶ **Many standard features**
Included as standard are a prefabricated roof with manway/vent combination, perimeter guardrail with safety toe board and railing. Also, a vacuum receiver mounting flange, truck-fill nipple, high and low level indicator mounts, mounting flange for the slide gate shut-off and a fully enclosed weatherproof vented silo skirt with a louvered access door is included. If two or more silos are purchased at once, a four foot (span) crossover walkway is provided.



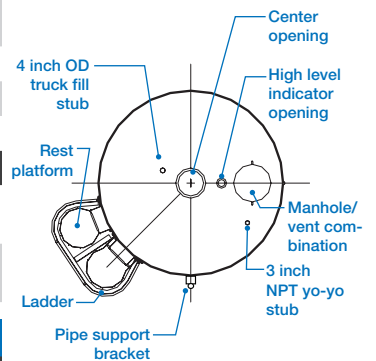
Specifications

| SW Models | | | | | | | | | | |
|---------------------------------------|--|--------------------|--------------------|--------------------|---------------------|---------------------|---------------------|---------------------|---------------------|---------------------|
| Inside diameter | 10 ft, 0 inches | | | | | | | | | |
| Silo inside height ft {m}* | 18 {5.5} | 24 {7.3} | 30 {9.1} | 36 {11.0} | 42 {12.8} | 48 {14.6} | 54 {16.5} | 60 {18.3} | 66 {20.1} | 72 {22.0} |
| Performance characteristics | | | | | | | | | | |
| Silo capacity 45° cone ft³ † {liters} | 838 {23,732} | 1310 {37,099} | 1781 {50,438} | 2252 {63,777} | 2723 {77,115} | 3194 {90,454} | 3665 {103,793} | 4136 {117,132} | 4607 {130,470} | 5079 {143,837} |
| Construction material | ASTM A570 Grade 40 Steel or 5052 - H-32 Aluminum | | | | | | | | | |
| Wind load | 100 mph | | | | | | | | | |
| Snow load | 40 lbs/ft² | | | | | | | | | |
| Weight lb {kg} ‡ | | | | | | | | | | |
| Shipping (empty) | 4783 {2170} | 5829 {2644} | 6876 {3119} | 7922 {3593} | 8968 {4068} | 10,827 {4911} | 12,475 {5659} | 13,549 {6146} | 15,090 {6845} | 16,515 {7491} |
| Full to capacity | 38,303 {17,374} | 58,229 {26,412} | 78,116 {35,433} | 98,002 {44,453} | 117,888 {53,473} | 138,587 {62,862} | 159,075 {72,155} | 178,989 {81,188} | 199,370 {90,433} | 219,675 {99,643} |



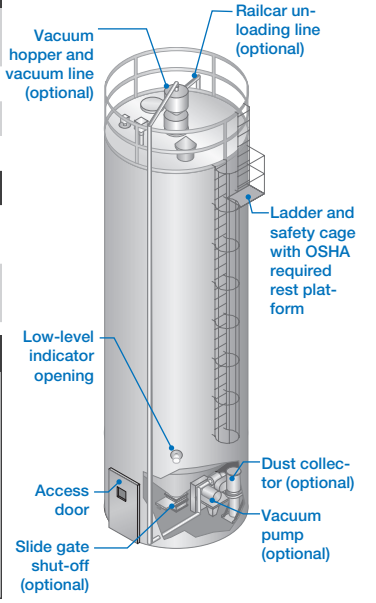
Side view

| SW Models | | | | | | | | | | |
|---------------------------------------|--|--------------------|---------------------|---------------------|---------------------|---------------------|----------------------|----------------------|----------------------|----------------------|
| Inside diameter | 11 ft, 11 inches | | | | | | | | | |
| Silo inside height ft {m}* | 18 {5.5} | 24 {7.3} | 30 {9.1} | 36 {11.0} | 42 {12.8} | 48 {14.6} | 54 {16.5} | 60 {18.3} | 66 {20.1} | 72 {22.0} |
| Performance characteristics | | | | | | | | | | |
| Silo capacity 45° cone ft³ † {liters} | 1072 {30,355} | 1732 {49,044} | 2393 {67,762} | 3054 {86,479} | 3714 {105,168} | 4375 {123,886} | 5035 {142,575} | 5696 {161,292} | 6357 {180,010} | 7017 {198,699} |
| Construction material | ASTM A570 Grade 40 Steel or 5052 - H-32 Aluminum | | | | | | | | | |
| Wind load | 100 mph | | | | | | | | | |
| Snow load | 40 lbs/ft² | | | | | | | | | |
| Weight lb {kg} ‡ | | | | | | | | | | |
| Shipping (empty) | 6063 {2750} | 7310 {3316} | 8557 {3881} | 10,311 {4677} | 11,558 {5243} | 13,256 {6013} | 15,278 {6930} | 16,525 {7496} | 18,260 {8283} | 20,097 {9116} |
| Full to capacity | 55,663 {25,248} | 83,670 {37,952} | 111,677 {50,656} | 140,191 {63,590} | 168,198 {76,293} | 196,656 {89,202} | 225,438 {102,257} | 249,845 {113,328} | 278,340 {126,253} | 306,937 {139,224} |



Top view

| SW Models | | | | | | | | | | |
|---------------------------------------|--|---------------------|---------------------|---------------------|----------------------|----------------------|----------------------|----------------------|----------------------|----------------------|
| Inside diameter | 13 ft, 11 inches | | | | | | | | | |
| Silo inside height ft {m}* | 18 {5.5} | 24 {7.3} | 30 {9.1} | 36 {11.0} | 42 {12.8} | 48 {14.6} | 54 {16.5} | 60 {18.3} | 66 {20.1} | 72 {22.0} |
| Performance characteristics | | | | | | | | | | |
| Silo capacity 45° cone ft³ † {liters} | 1613 {45,680} | 2525 {71,508} | 3438 {97,364} | 4350 {123,192} | 5263 {149,048} | 6176 {174,904} | 7088 {200,732} | 8001 {226,588} | 8913 {252,416} | 9826 {262,950} |
| Construction material | ASTM A570 Grade 40 Steel or 5052 - H-32 Aluminum | | | | | | | | | |
| Wind load | 100 mph | | | | | | | | | |
| Snow load | 40 lbs/ft² | | | | | | | | | |
| Weight lb {kg} ‡ | | | | | | | | | | |
| Shipping (empty) | 8787 {3986} | 10,299 {4672} | 11,755 {5332} | 14,265 {6470} | 15,721 {7131} | 17,178 {7792} | 19,161 {8691} | 21,282 {9653} | 23,925 {10852} | 26,569 {12051} |
| Full to capacity | 73307 {33,251} | 111,299 {50,448} | 149,275 {67,710} | 188,265 {85,395} | 226,241 {102,621} | 264,218 {119,847} | 302,681 {137,294} | 341,322 {154,821} | 380,455 {172,567} | 419,609 {190,331} |



Specification Notes

* For overall height add 44 inches to inside height to account for the guardrail.

† Cones are available in 45° for pellets, except PET and 60° for powdered and PET materials. Reduce silo capacity for 60° cone: 10 feet 0 inches, subtract 47 ft³; 11 feet, 11 inches, subtract 358 ft³; and 13 feet, 11 inches subtract 460 ft³.

‡ Weight is based on 40 lb/ft³ materials.

Reference foundation drawing 10 feet welded 501-090 series; 11 feet, 11 inches welded 501-024 series; 13 feet, 11 inches welded 501-210 series.

Roof live and dead load design 25 lb/ft².

Specifications may change without notice. Check with a Conair representative for the most current information.

