

Easy Storage; Easy Access

Conair offers a complete line of in-plant surge bins for convenient storage of a variety of blended or virgin materials. Conair Surge Bins accommodate your storage needs with a range of bin capacities from 17 ft³ to 514 ft³.*

For critical applications, bins can be constructed of contamination free stainless steel. Conair Surge Bin lids are pre-drilled to accept your choice of Conair loading and blending equipment.

* Usable volume based on a 30° angle of repose.



In-Plant Surge Bin
(Shown with optional
12-inch {305 mm}
manual slide gate.)

Easy Access For Blended Or Virgin Materials

In-Plant Surge Bins are available in a wide variety of sizes and usable capacities (600 – 8800 lbs {272 – 3992 kg}) to suit your material storage needs. With 20 inches {508 mm} of clearance under the discharge, there is plenty of room to place a manual slide gate or distribution box under the bin. If you need more room, optional leg extensions designed for gaylord discharge can be added, which will increase the clearance to 80 inches {2032 mm}.

Standard as painted carbon steel with an epoxy coated interior, or optional as stainless steel, the In-Plant Surge Bin is perfect for any material or application. The included strip sight glass makes it easy to see the current material level in the 45° hopper cone (60° hopper cone option is available). 1.25-inch {31.75 mm} NPT (plugged) level sensor openings come as standard on the bin for easily adding level sensors.

Conair's experienced Sales team is ready to help you select the size, style, and features that will best suit your storage needs.

▶ **Wide range of sizes to meet your needs**

Conair's storage options are ideal for processors of any size, from the SB48 model, for processors with smaller needs to keep materials ready for distribution, to the SB84 bins, which can hold a truly massive amount of pellets.

▶ **Heavy duty construction**

Our surge bins are made using 14-gauge steel, with a painted exterior and an epoxy-coated interior to reduce wear and tear over time.

▶ **Hopper cone options to work with any material**

Two cone configurations are available for the hoppers, depending on the material they will be storing. Hoppers for pellet storage usually have a 45° cone bottom. For powder and hard-to-flow materials the hopper includes a 60° cone.

▶ **Easy to check and access contents**

All surge bins come with a sight glass on the side to check material levels, and a hinged cover on the top with an access door.

▶ **Easy mounting design**

Surge bins have a bottom flange for mounting a distribution box, takeaway augers or slide gate.

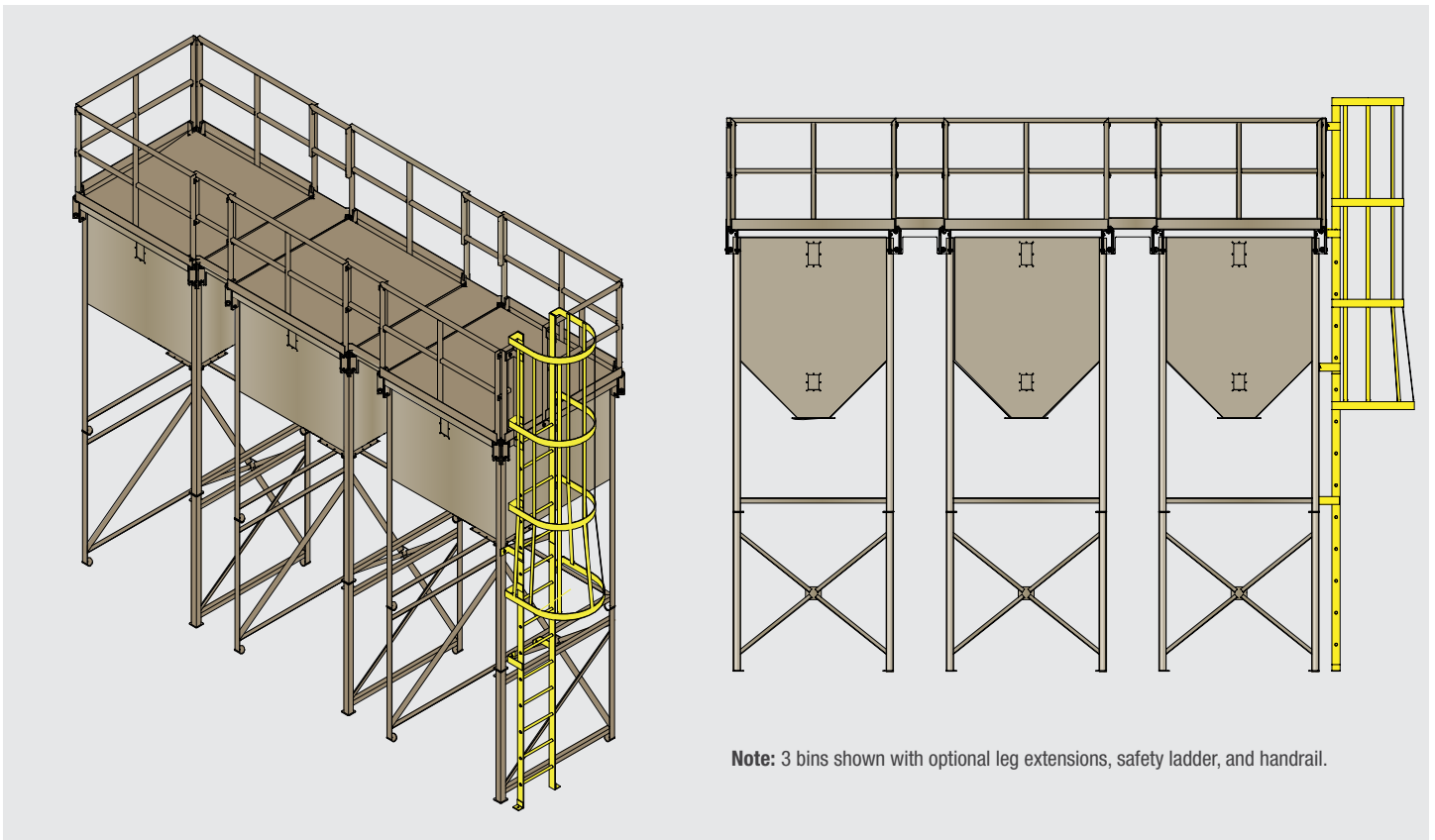
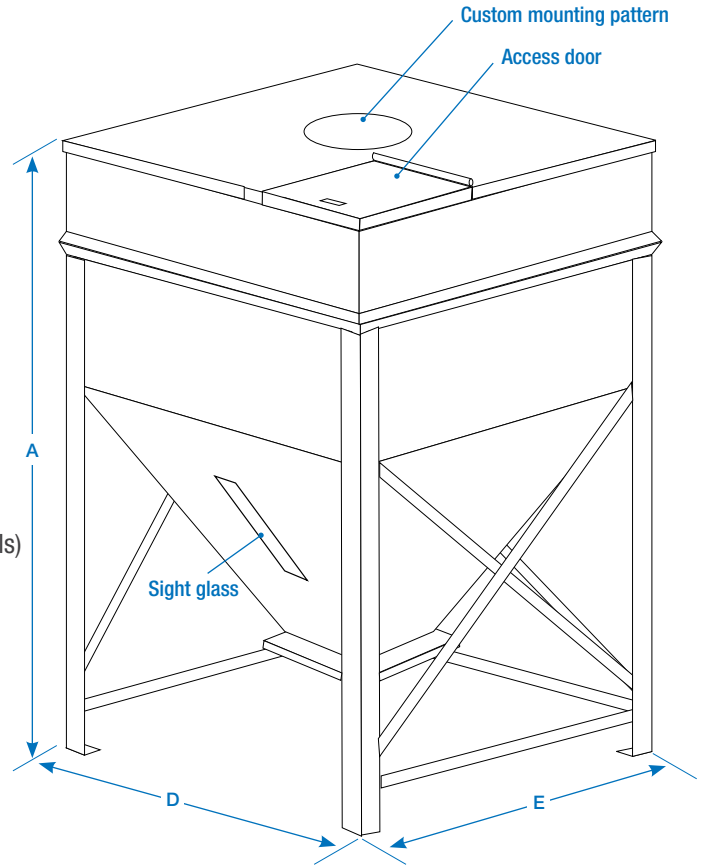


Features

- One strip sight glass (SB48-17 model only)
Two strip sight glasses on all other models
- Painted exterior
- Lid with two access panels and one bolted section with standard IB04 or IB07 mounting pattern
- 16.25-inch square {413 mm} flange bottom with 15-inch square {381 mm} bolt pattern (IB09)
- Epoxy coated interior
- 45° hopper cone
- 1.25-inch {31.75 mm} NPT level sensor openings (plugged)

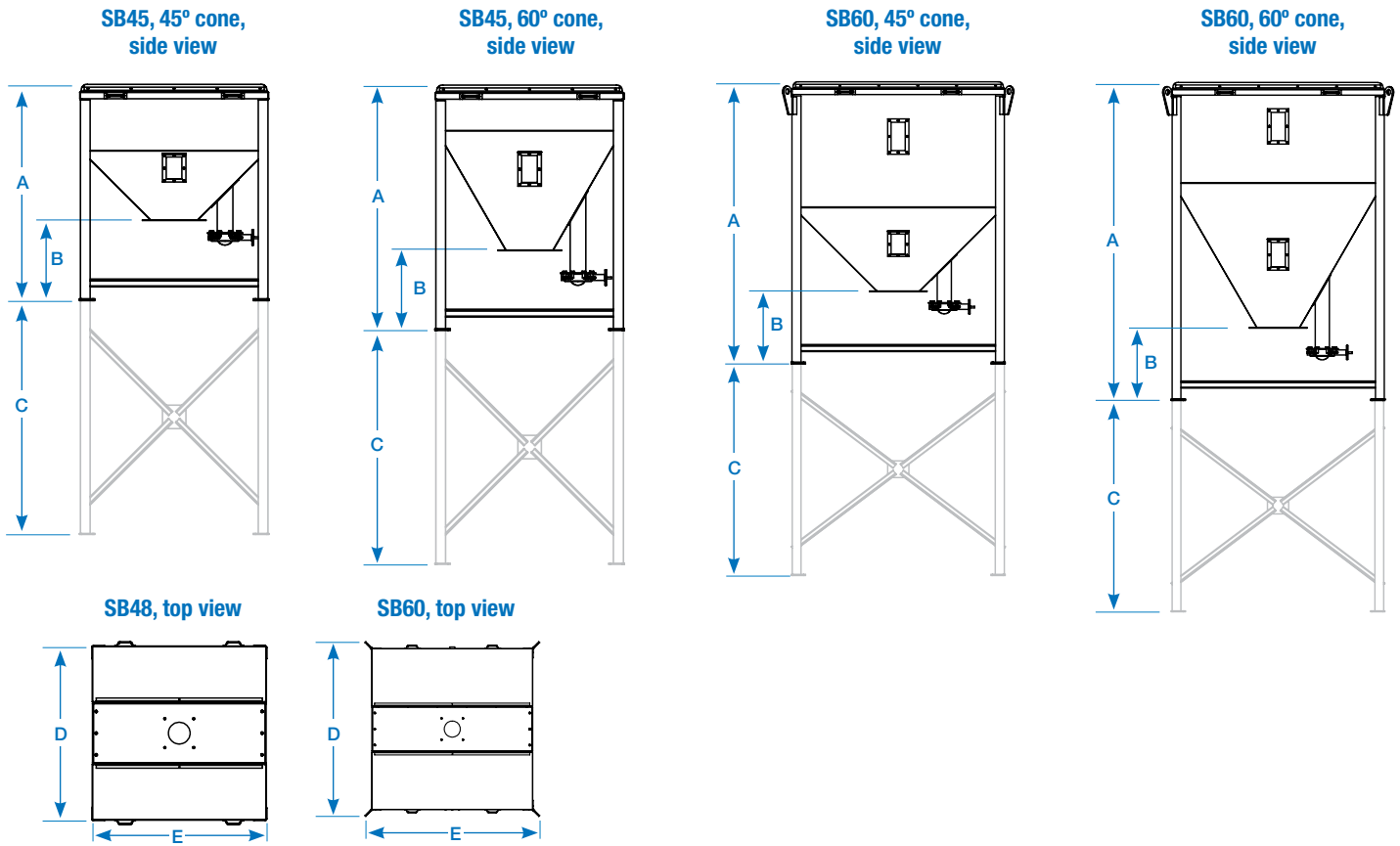
Options

- 4-inch {102 mm} drop tube with butterfly valve.
- 12-inch {305 mm} manual slide gate
- 60° hopper cone for non free-flowing materials
- Ladder
- Handrail
- Leg extensions*
 - for barrel or drum (SB48 models)
 - for gaylord discharge (all other models).
 - * Add 5 ft {152.4 cm} to height
- Stainless steel construction
- Special paint



Note: 3 bins shown with optional leg extensions, safety ladder, and handrail.

Specifications



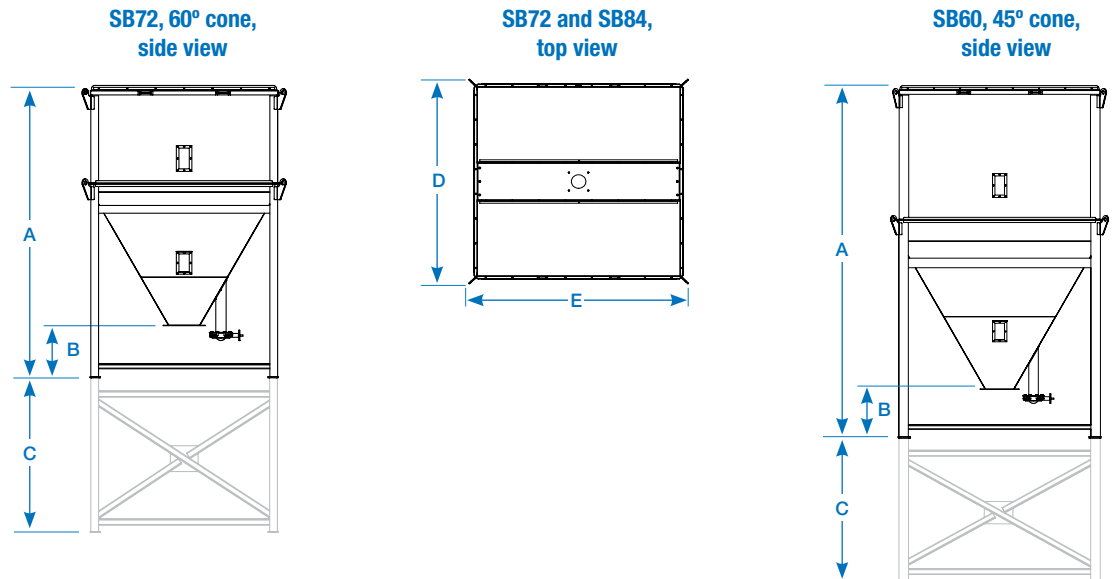
Models	SB48-17	SB48-47	SB60-64	SB60-94	SB60-125
Performance characteristics					
Capacity lb {kg}	1000 {454}	2000 {907}	3000 {1361}	4000 {1814}	5000 {2268}
Usable capacity* lb {kg}	600 {272}	1600 {725}	2200 {998}	3300 {1497}	4400 {1996}
Volume at high level sensor ft ³ {m ³ }	17 {0.48}	47 {1.3}	64 {1.8}	94 {2.6}	125 {3.5}
Volume at low level sensor ft ³ {m ³ }	4 {0.11}				
Dimensions inch {mm}					
A - Standard height* (45° cone)	53 {1346}	75 {1905}	78 {1981}	92 {2337}	107 {2718}
A - Standard height* (60° cone)	61 {1549}	83 {2108}	88 {2235}	102 {2591}	117 {2972}
B - Clearance under discharge	20 {508}				
C - Leg extension height	60 {1524}				
D - Length	48 {1219}		65 {1651}		
E - Width	48 {1219}		65 {1651}		
Shipping weight lb {kg}					
45° cone unit	670 {304}	750 {340}	835 {379}	1000 {454}	1040 {472}
60° cone unit	750 {340}	830 {376}	925 {420}	1020 {463}	1190 {540}

Specification Notes

* Usable capacity based on a material with a bulk density of 35 lbs/ft³ {561 kg/m³} with a 30° angle of repose.
 Specifications may change without notice. Check with a Conair representative for the most current information.



Specifications



Models	SB72-134	SB72-163	SB72-192	SB72-222	SB72-251
Performance characteristics					
Capacity lb {kg}	6000 {2722}	7000 {3175}	8000 {3629}	9000 {4082}	10000 {4536}
Usable capacity* lb {kg}	4700 {2131}	5700 {2585}	6700 {3039}	7800 {3538}	8800 {3992}
Volume at high level sensor ft ³ {m ³ }	134 {3.7}	163 {4.6}	192 {5.4}	222 {6.2}	251 {7.1}
Volume at low level sensor ft ³ {m ³ }			12 {0.34}		
Dimensions inch {mm}					
A - Standard height* (45° cone)	98 {2489}	108 {2743}	117 {2972}	127 {3226}	137 {3480}
A - Standard height* (60° cone)	111 {2819}	121 {3073}	131 {3327}	141 {3581}	151 {3835}
B - Clearance under discharge			20 {508}		
C - Leg extension height			60 {1524}		
D - Length			79 {2007}		
E - Width			79 {2007}		
Shipping weight lb {kg}					
45° cone unit	1270 {576}	1330 {603}	1830 {830}	1850 {839}	2120 {961}
60° cone unit	1280 {581}	1350 {612}	1860 {844}	2070 {939}	2170 {984}

Models	SB84-285	SB84-342	SB84-400	SB84-457	SB84-514
Performance characteristics					
Capacity lb {kg}	12,000 {5443}	14,000 {6350}	16,000 {7257}	18,000 {8164}	20,000 {9072}
Usable capacity* lb {kg}	10,000 {4536}	12,000 {5443}	14,000 {6350}	16,000 {7257}	18,000 {8164}
Volume at high level sensor ft ³ {m ³ }	285 {8.0}	342 {9.6}	400 {11.3}	457 {12.9}	514 {14.5}
Volume at low level sensor ft ³ {m ³ }			12 {0.34}		
Dimensions inch {mm}					
A - Standard height* (45° cone)	130 {3302}	144 {3658}	158 {4013}	172 {4369}	186 {4724}
A - Standard height* (60° cone)	146 {3708}	160 {4064}	174 {4420}	188 {4775}	202 {5131}
B - Clearance under discharge			20 {508}		
C - Leg extension height			60 {1524}		
D - Length			91 {2311}		
E - Width			91 {2311}		
Shipping weight lb {kg}					
45° cone unit	2220 {1007}	3700 {1678}	4180 {1896}	3880 {1760}	4550 {2063}
60° cone unit	2220 {1007}	3800 {1724}	4240 {1923}	4290 {1945}	4620 {2095}

Specification Notes

* Usable capacity based on a material with a bulk density of 35 lbs/ft³ {561 kg/m³} with a 30° angle of repose.
 Specifications may change without notice. Check with a Conair representative for the most current information.

