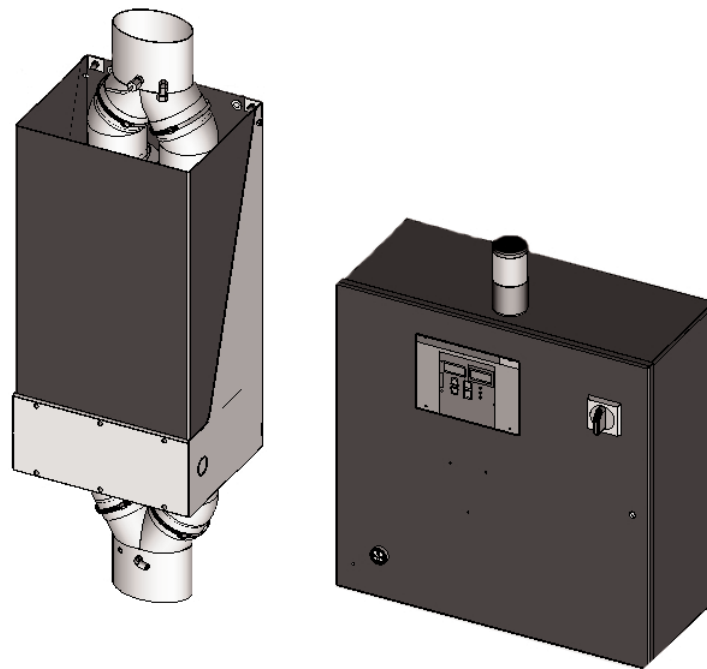
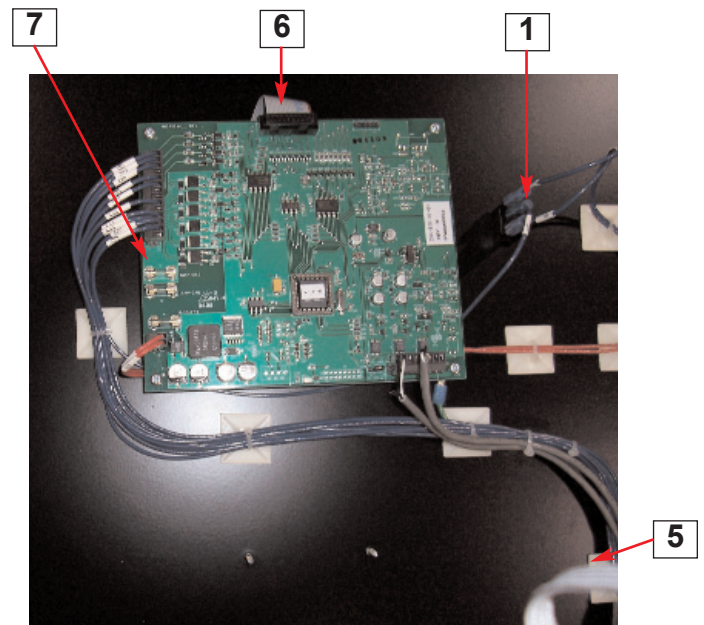
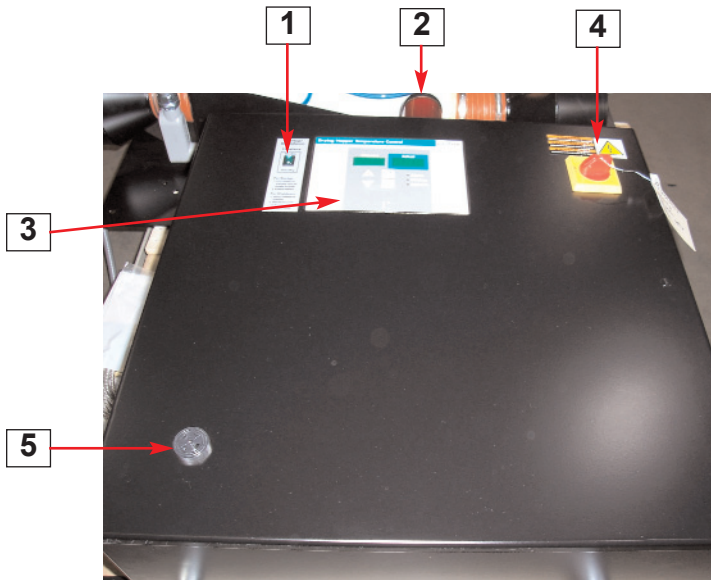


Parts Identification Guide
PID014/0306

Hopper Temperature Controller

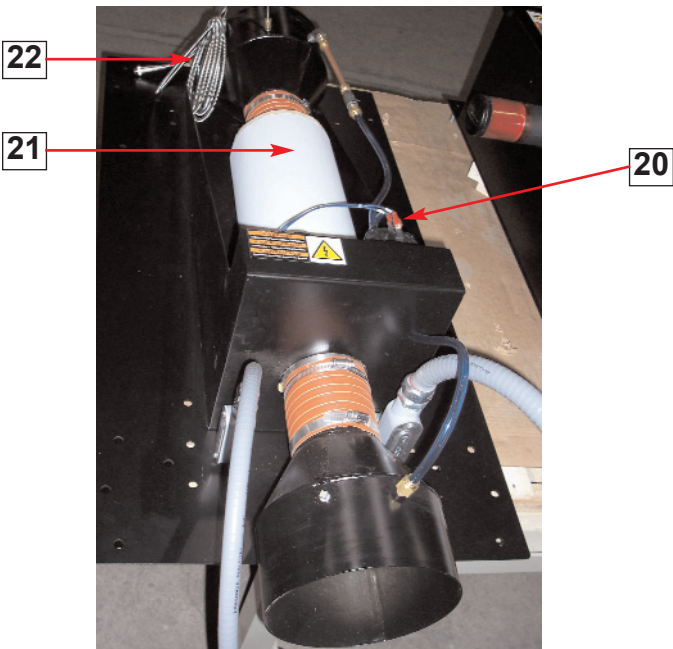
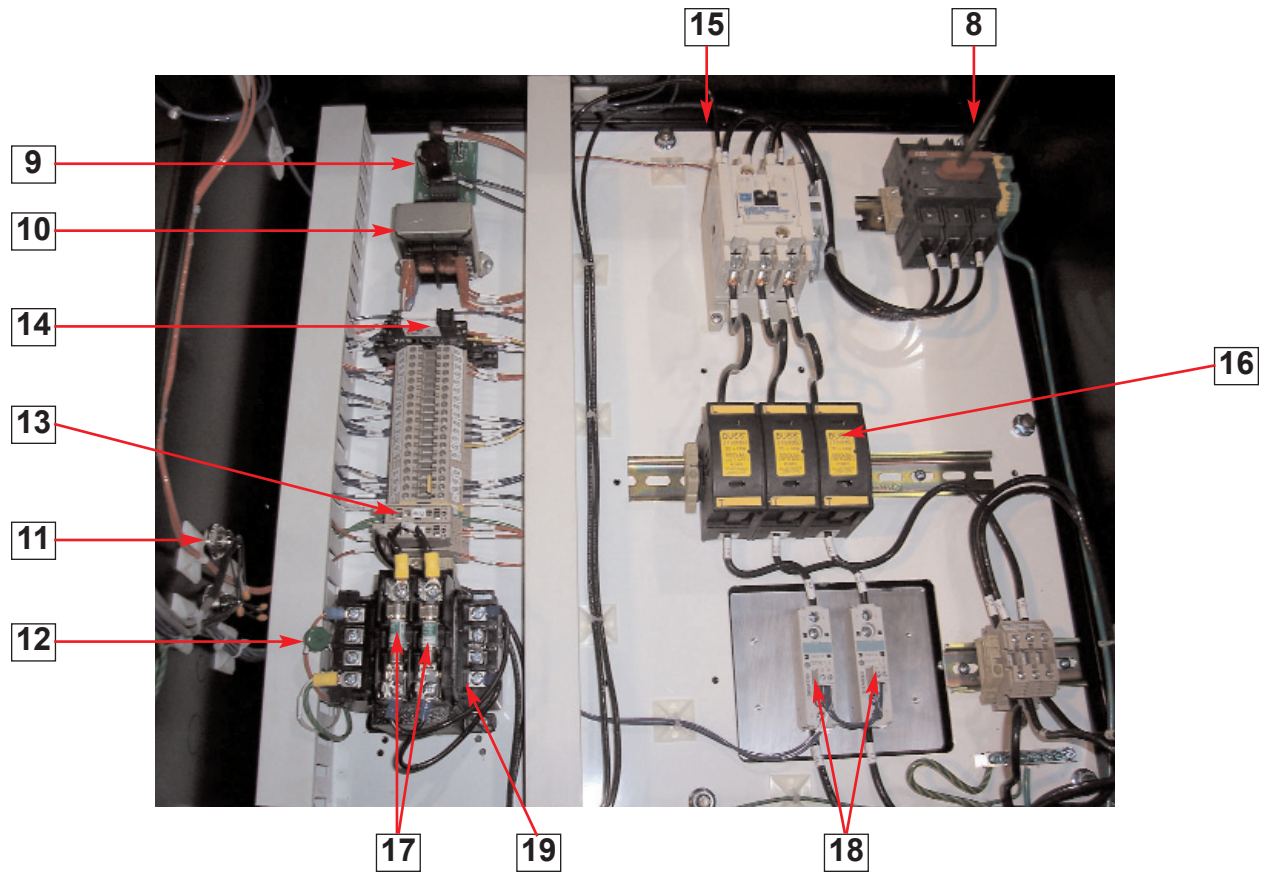
HTC Series 30H-270H





Hopper Temperature Controllers HTC Series 30H-270H

- 1. Rocker Switch
- 2. Alarm Beacon Light
- 3. Control Label
- 4. Disconnect Handle
- 5. Alarm Horn
- 6. Ribbon Cable To Display Board
- 7. Main Board



**Hopper Temperature Controllers
HTC Series 30H-270H**

- 8. Disconnect Switch and Shaft
- 9. Power Supply
- 10. Transformer
- 11. RTD Connections (2)
- 12. MOV
- 13. Control Fuses
- 14. 1, 2 CR for Heater and Alarm
- 15. Heater Contactor
- 16. Heater Fuses
- 17. Fuses for Transformer
- 18. Solid State Relays (2)
- 19. Transformer
- 20. Pressure Switch
- 21. Heater Tube
- 22. RTD