

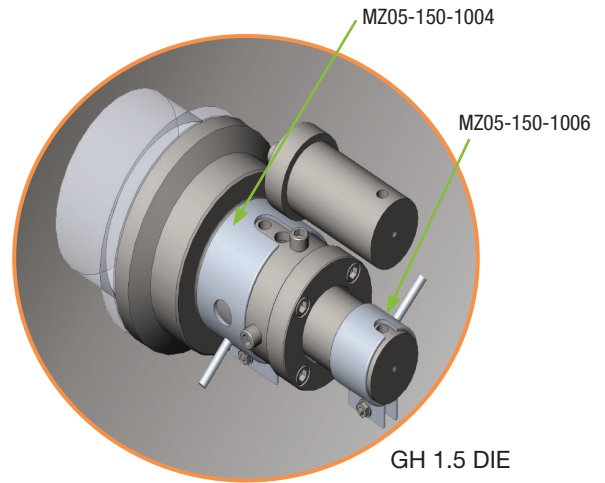
## Tooling - Dies

### GH 1.5 Dies

Part Number	Description
MZ05-120-1001	Spider

### GHF-3 Dies

Part Number	Description
0404-30128	Spider (Male Thread)



**Note:** Contact Sales Department on die body and assembly for sizing and support.

## Die Parts

### Heater Bands

Part Number	Description	Dies
MZ05-150-1000	MICA 15" Diameter 1.5" Wide 230V, 1750W (35 W/in sq), 12" Leads, 10" SS Overbraid, Welded Barrel Nut Lockup	GH 2-7
MZ05-150-1001	MICA 10.5" Diameter Wide 3" 230V, 3000W (35 W/in sq), 12" Leads, 10" SS Overbraid, Welded Barrel Nut Lockup	GH 2-7 GH5
MZ05-150-1009	MICA 6.75" ID X 15" W 1000W	GHF-3, GH3
MZ05-150-1004	MICA 3.75" ID X 2" W 500W	GH 1.5
MZ05-150-1005	MICA 8" ID X 1.5" W 1000W	GHF-3
MZ05-150-1006	MICA2" ID X 1.5" W 1000W	GH 1.5
MZ05-150-1007	MICA 6.75" ID X 15" W 300W	GH 1.5
MZ05-150-1008	600W	GHF-3
MZ05-150-1200	Heater Band Kit with 20' Leads	GH 1.5
MZ05-150-1201	Heater Band Kit with 6' Leads	GH 1.5

### Adapter Plates

Part Number	Description
MZ05-155-1002	1/8" Entrance (sizing) Plate for MT104/MCB Tank
MZ05-155-1003	4" to 6.5" Adapter Plate 104/MCB Tank
MZ05-155-1004	1/8" Entrance (sizing) Plate for MT104/MCB Tank 4" to 6.5" (MZ05-155-1003 may be required)