

# Powerful, High-Capacity Granulators For Multiple Applications

Conair's Viper Granulator, heavy-duty 32- and 35-Series granulators are designed for high throughput applications to provide exceptional and dedicated size reduction suitable for large volume post industrial and post consumer recycling as well as thermoforming with the optional feed roll devices.

These industrial-strength granulators feature heavy duty rotors and cutting chambers allowing you to process virtually any kind of scrap. It is also offered in a wet-grinding configuration for PET and HDPE bottle recycling.

Easy pre-adjustment of the gap between rotor and fixed bed knives results in increased throughputs and high-quality, uniform regrind.



Model 3241

## High Throughputs in an Easy-to-Clean Design

Conair's 32- and 35-Series are robust, heavy-duty central granulators for reclaim of all types of plastic materials and applications.

In addition to the robust design of the cutting chamber and rotor, the 32- and 35-Series offer a drop-down screen cradle powered by a manual jack for the industry's fastest and safest chamber access. A five-blade slant-knife open rotor provides scissor-cutting action for fast, efficient processing. An optional seven-blade open rotor is available for more demanding applications.

32- and 35-Series also offer custom hoppers for front, side, rear and roll feed to accommodate most every type of feed system. Hoppers are easily opened/closed with a powered linear actuator.

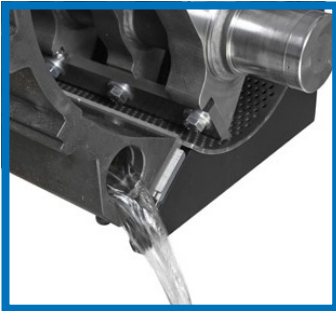
32- and 35-Series options include: high-wear screen and knives, blower evacuation systems, fines removal systems, feed rolls, high-level/high-amp alarms, larger horsepower motors, and incline conveyors with and without a metal detector.

- ▶ **Direct, safe and easy access to machine core**  
Conair's innovative 32- and 35-Series tilt-back hopper and cutting chamber features a manual assist screen cradle opener and removable discharge bin. Complete rotor access simplifies clean out and blade maintenance saving you time and money. Integral safety interlocks prevent accidental operation during service or clean out.
- ▶ **High-quality regrind**  
The scissor-cutting configuration, larger screen area, and pre-adjustable rotating and fixed knives provide consistent knife gaps to produce high quality regrind.
- ▶ **Greater screen area equals higher throughput with fewer fines**  
Rotor knives adjust outward to the stationary bed knives to maintain an unchanging gap between the knives and screen, eliminating screen clogging, minimizing heat buildup and reducing fines for best-in-class throughput of higher quality regrind.
- ▶ **Automatic rotor safety lock**  
The 32- and 35-Series rotor automatically locks in place when the hopper is raised. This safety feature, which also has a manual release, protects the operator during blade maintenance by holding the rotor firmly in place.
- ▶ **Pre-Adjustable knives**  
Provides the ultimate in blade changes. Knives are pre-set in the included knife setting fixture decreasing the time it takes to replace knives while improving safety.
- ▶ **Water-cooled cutting chamber**  
Keeping the cutting chamber cool when handling heat sensitive or hot material increases granulate quality while decreasing the risk of downtime associated with screen clogging.



## Features

- Rotor equipped with rotating end disks
- Roller bearings mount integral with cutting chamber
- Double flywheel-type rotor pulley mounted with taper-lock bushing
- Rotor "zero speed" sensor
- Stationary rotor lock for safe cutting chamber maintenance
- Easy tool-free access for quick and simple cleaning and maintenance
- Manual assisted drop-down screen
- Powered hopper opening and closing
- 5- or 7-knife rotor with steep angle cutting configuration
- Scissor-cutting configuration
- Pre-adjustable knives
- Open area screen equal to approximately 50% of the rotor diameter
- Water-cooled cutting chamber
- Floor-mount NEMA control panel
- Base set on vibration pad mounting
- Discharge for blower evacuation



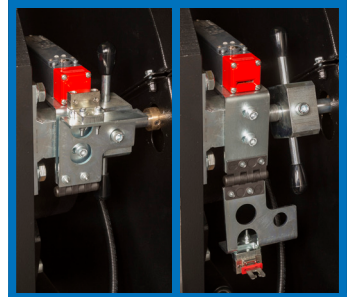
Water-cooled cutting chamber



Manual assisted drop-down screen



Rotor equipped with rotating end disks



Rotor lock device for maintenance

## Options

Model	3241	3262	3560	3580
<b>Options</b>				
Hardened cutting chamber	<input type="checkbox"/>	<input type="checkbox"/>	<input type="checkbox"/>	<input type="checkbox"/>
High-wear knives and screens	<input type="checkbox"/>	<input type="checkbox"/>	<input type="checkbox"/>	<input type="checkbox"/>
Soundproof Hopper	<input type="checkbox"/>	<input type="checkbox"/>	<input type="checkbox"/>	<input type="checkbox"/>
Soundproof enclosure	<input type="checkbox"/>	<input type="checkbox"/>	<input type="checkbox"/>	<input type="checkbox"/>
Feed tray	<input type="checkbox"/>	<input type="checkbox"/>	<input type="checkbox"/>	<input type="checkbox"/>
Funnel for conveying feed	<input type="checkbox"/>	<input type="checkbox"/>	<input type="checkbox"/>	<input type="checkbox"/>
Large volume hopper	<input type="checkbox"/>	<input type="checkbox"/>	<input type="checkbox"/>	<input type="checkbox"/>
Feed roll package	<input type="checkbox"/>	<input type="checkbox"/>	<input type="checkbox"/>	<input type="checkbox"/>
Hopper for pipes and sheets	<input type="checkbox"/>	<input type="checkbox"/>	<input type="checkbox"/>	<input type="checkbox"/>
Hopper for relief head	<input type="checkbox"/>	<input type="checkbox"/>	<input type="checkbox"/>	<input type="checkbox"/>
Forged rotor design for wet applications	<input type="checkbox"/>	<input type="checkbox"/>	<input type="checkbox"/>	<input type="checkbox"/>
Special controls	<input type="checkbox"/>	<input type="checkbox"/>	<input type="checkbox"/>	<input type="checkbox"/>
Main electrical disconnect	<input type="checkbox"/>	<input type="checkbox"/>	<input type="checkbox"/>	<input type="checkbox"/>
High-amp control with alarm	<input type="checkbox"/>	<input type="checkbox"/>	<input type="checkbox"/>	<input type="checkbox"/>
High-level control with alarm	<input type="checkbox"/>	<input type="checkbox"/>	<input type="checkbox"/>	<input type="checkbox"/>
Blower evacuation systems	<input type="checkbox"/>	<input type="checkbox"/>	<input type="checkbox"/>	<input type="checkbox"/>
Feed conveyor with metal detection	<input type="checkbox"/>	<input type="checkbox"/>	<input type="checkbox"/>	<input type="checkbox"/>

Available

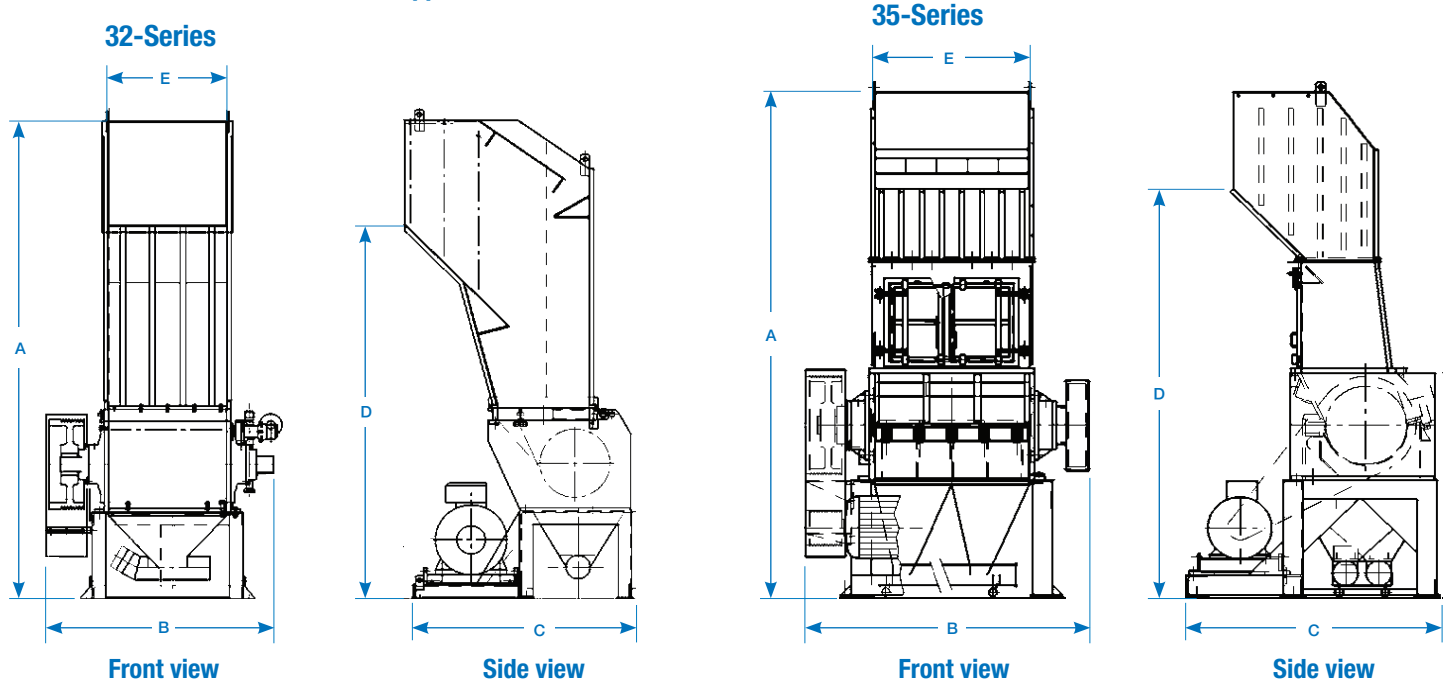
\* Not available on the Super Tangential configuration

## 35-Series



# Specifications

## Granulator with standard hand feed hopper



Models	3241	3262	3560	3580
<b>Performance characteristics</b>				
Throughput range † lb/hr {kg/hr}	up to 3960 {1800}	up to 4840 {2200}	up to 11,000 {5000}	up to 13,200 {6000}
Rotor diameter inches {mm}	24.5 {620}		31.5 {800}	
Rotor speed rpm	460		440	
Rotor type	5-blade or 7-blade welded open rotor			
Rotating knives x fixed knives	5 x 2; optional 7 x 2			
Standard screen hole size inches {mm}	0.5 {12}			
Cutting chamber inches {mm}	31.5 x 41.0 {800 x 1040}	31.5 x 61.4 {800 x 1560}	34.2 x 60.6 {870 x 1540}	34.2 x 80.3 {870 x 2040}
Motor power Hp {kW}	150 {110}	175 {132}	215 {160}	270 {200}
<b>Dimensions inches {mm}</b>				
A - Height	159.4 {4050}	163.4 {4150}	204.5 {5195}	
B - Width	78.7 {2000}	102.5 {2604}	75.2 {1910}	84.6 {2150}
C - Depth	75.2 {1910}	84.6 {2150}	100.0 {2540}	
D - Height to hopper infeed	116.9 {2970}	122.0 {3100}	165.4 {4200}	
E - Feed hopper opening width	40.7 {1034}	60.6 {1540}	116.9 {2970}	122 {3100}
<b>Approximate weight lb {kg}</b>				
Installed	20,900 {9500}	24,860 {11,300}	33,000 {15,000}	39,600 {18,000}
Shipping	23,000 {10,433}	27,000 {12,247}	35,500 {16,103}	42,500 {19,278}
<b>Voltages Full load amps based on motor size †</b>				
Motor power Hp	150 {110}	175 {132}	215 {160}	270 {200}
460/3 phase/60 Hz (standard)	180	215	260	325
575/3 phase/60 Hz	144	172	208	260

### Specification Notes

\* Throughputs are provided as a capacity guideline only. Throughput will be greater or lesser than the values shown according to the selected screen size and the shape, size, thickness and properties of the material to be cut. Consult Conair for a material test to help in determining the correct granulator model for your application.

† FLA data for reference purposes only. Does not include any accessories added such as blower or conveyor motor loads. Includes standard motor only. For true, full FLA for power circuit design of specific machine refer to electrical diagram of the machine order or nameplate applied to machine at shipment.

Specifications may change without notice. Check with a Conair representative for the most current information.

### Application Note

Allow appropriate clearance above machine for hopper tilting during maintenance.



